



# Del Mar

## SPECIFICATIONS:

### Housing:

Corrosion resistant, Weather Tight Unit fabricated from spun Aluminum .080" Thick, Full Gasket Keeps out insects and Water.

### Lens & Removable Door Assembly:

Hinged Door Assembly Formed from One Piece spun Aluminum .080" Corrosion Resistant Aluminum With Stainless Steel Fasteners. The Lens is A Clear 1/8" Tempered Flat Glass, Secured By Galvanized Lens Clips and Sealed With Silicone Gasket To Ensure Protection From The Harsh Environment.

### Electrical Assembly:

HID ballast constant wattage auto-transformer high power factor core and coil type, rated -20 degrees Fahrenheit starting temperature. Integrally Mounted in the luminaire and completely prewired. Each ballast assembly is thoroughly tested prior to shipment. Ballast And Electrical Components are "UL" Listed.

### Lamp Socket:

Porcelain Socket pulse rated for HPS, MH, PS & CFL lamps. Lamp included.

### Finish:

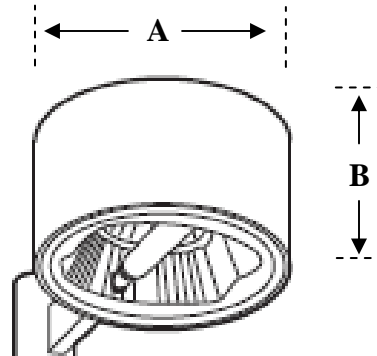
Thermoset Polyester Textured Powder Coat Finish, Chemically Pretreated Through a Multi-Stage Washer, Oven Baked at 400 Deg. Fahrenheit to insure Maximum Adherence.

## Decorative Architectural Style

## Job Information

Project:	Date:
Location:	
Fixture Type:	Cat. #
Lamp:	Volts:
Options & Accessories:	

## DIMENSIONAL DRAWINGS



Model #	A	B	Max. Watt	EPA
DMR-1	20"	10"	250	2.4
DMR-2	25"	12"	400	3.2

## ORDERING INFORMATION:

Model	Optics	Wattage	Source	Voltage	Mounting	Finish	Options
<ul style="list-style-type: none"> <li>DMR-1</li> <li>DMR-2</li> </ul>	Type I <ul style="list-style-type: none"> <li>(T1)</li> </ul> Type II <ul style="list-style-type: none"> <li>(T2)</li> </ul> Type III <ul style="list-style-type: none"> <li>(T3)</li> </ul> Type IV <ul style="list-style-type: none"> <li>(T4)</li> </ul> Type V <ul style="list-style-type: none"> <li>(T5)</li> </ul>	70w <ul style="list-style-type: none"> <li>(70)</li> </ul> 90w <ul style="list-style-type: none"> <li>(90)</li> </ul> 100w <ul style="list-style-type: none"> <li>(100)</li> </ul> 150w <ul style="list-style-type: none"> <li>(150)</li> </ul> 175w <ul style="list-style-type: none"> <li>(175)</li> </ul> 250w <ul style="list-style-type: none"> <li>(250)</li> </ul> 400w <ul style="list-style-type: none"> <li>(400)</li> </ul>	HPS <ul style="list-style-type: none"> <li>(HPS)</li> </ul> Metal Halide <ul style="list-style-type: none"> <li>(MH)</li> </ul> Low Pressure Sodium <ul style="list-style-type: none"> <li>(LPS)</li> </ul> Pulse Start Metal Halide <ul style="list-style-type: none"> <li>(PS)</li> </ul> Compact Fluorescent <ul style="list-style-type: none"> <li>(CFL)</li> </ul> Consult Factory	120 Volts <ul style="list-style-type: none"> <li>(120)</li> </ul> 208 Volts <ul style="list-style-type: none"> <li>(208)</li> </ul> 240 Volts <ul style="list-style-type: none"> <li>(240)</li> </ul> 277 Volts <ul style="list-style-type: none"> <li>(277)</li> </ul> 480 Volts <ul style="list-style-type: none"> <li>(480)</li> </ul> Multi-Tap Ballast Factory wired at 277 volts unless otherwise specified.	Bolt-On Arm 6" <ul style="list-style-type: none"> <li>(BOA6)</li> </ul> Bolt-On Arm 10" <ul style="list-style-type: none"> <li>(BOA10)</li> </ul> Wall Mount <ul style="list-style-type: none"> <li>(WM)</li> </ul> Spider Mount <ul style="list-style-type: none"> <li>(SM)</li> </ul>	Texture Bronze <ul style="list-style-type: none"> <li>(BZ)</li> </ul> White <ul style="list-style-type: none"> <li>(WT)</li> </ul> Black <ul style="list-style-type: none"> <li>(BK)</li> </ul> Green <ul style="list-style-type: none"> <li>(GN)</li> </ul> Grey <ul style="list-style-type: none"> <li>(GY)</li> </ul> Other colors available Consult Factory	Photo Cell 120 - 277V <ul style="list-style-type: none"> <li>(PC__)</li> </ul> Round Pole Adaptor <ul style="list-style-type: none"> <li>(RPA)</li> </ul> House Side Shield <ul style="list-style-type: none"> <li>(HSS)</li> </ul> Wall Plate <ul style="list-style-type: none"> <li>(WP)</li> </ul>

Direct Lighting reserves the right to make modifications or changes to any of its products without prior written notification and without incurring obligation. Actual performance can vary depending on surrounding conditions