



Del Mar

SPECIFICATIONS:

Housing:

Corrosion resistant, Weather Tight Unit fabricated from spun Aluminum .080" Thick, Full Gasket Keeps out insects and Water.

Lens & Removable Door Assembly:

Hinged Door Assembly Formed from One Piece spun Aluminum .080" Corrosion Resistant Aluminum With Stainless Steel Fasteners. The Lens is A Clear 1/8" Tempered Flat Glass, Secured By Galvanized Lens Clips and Sealed With Silicone Gasket To Ensure Protection From The Harsh Environment.

Electrical Assembly:

HID ballast constant wattage auto-transformer high power factor core and coil type, rated -20 degrees Fahrenheit starting temperature. Integrally Mounted in the luminaire and completely prewired. Each ballast assembly is thoroughly tested prior to shipment. Ballast And Electrical Components are "UL" Listed.

Lamp Socket:

Porcelain Socket pulse rated for HPS, MH, PS & CFL lamps. Lamp included.

Finish:

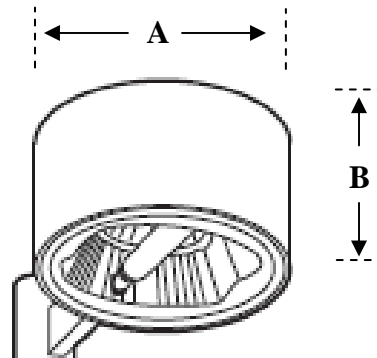
Thermoset Polyester Textured Powder Coat Finish, Chemically Pretreated Through a Multi-Stage Washer, Oven Baked at 400 Deg. Fahrenheit to insure Maximum Adherence.

Decorative Architectural Style

Job Information

Project:	Date:
Location:	
Fixture Type:	Cat. #
Lamp:	Volts:
Options & Accessories:	

DIMENSIONAL DRAWINGS



Model #	A	B	Max. Watt	EPA
DMR-1	20"	10"	250	2.4
DMR-2	25"	12"	400	3.2

ORDERING INFORMATION:

Model	Optics	Wattage	Source	Voltage	Mounting	Finish	Options
<ul style="list-style-type: none"> DMR-1 DMR-2 	Type I <ul style="list-style-type: none"> (T1) Type II <ul style="list-style-type: none"> (T2) Type III <ul style="list-style-type: none"> (T3) Type IV <ul style="list-style-type: none"> (T4) Type V <ul style="list-style-type: none"> (T5) 	70w <ul style="list-style-type: none"> (70) 90w <ul style="list-style-type: none"> (90) 100w <ul style="list-style-type: none"> (100) 150w <ul style="list-style-type: none"> (150) 175w <ul style="list-style-type: none"> (175) 250w <ul style="list-style-type: none"> (250) 400w <ul style="list-style-type: none"> (400) 	HPS <ul style="list-style-type: none"> (HPS) Metal Halide <ul style="list-style-type: none"> (MH) Low Pressure Sodium <ul style="list-style-type: none"> (LPS) Pulse Start Metal Halide <ul style="list-style-type: none"> (PS) Compact Fluorescent <ul style="list-style-type: none"> (CFL) Consult Factory	120 Volts <ul style="list-style-type: none"> (120) 208 Volts <ul style="list-style-type: none"> (208) 240 Volts <ul style="list-style-type: none"> (240) 277 Volts <ul style="list-style-type: none"> (277) 480 Volts <ul style="list-style-type: none"> (480) Multi-Tap Ballast Factory wired at 277 volts unless otherwise specified.	Bolt-On Arm 6" <ul style="list-style-type: none"> (BOA6) Bolt-On Arm 10" <ul style="list-style-type: none"> (BOA10) Wall Mount <ul style="list-style-type: none"> (WM) Spider Mount <ul style="list-style-type: none"> (SM) 	Texture Bronze <ul style="list-style-type: none"> (BZ) White <ul style="list-style-type: none"> (WT) Black <ul style="list-style-type: none"> (BK) Green <ul style="list-style-type: none"> (GN) Grey <ul style="list-style-type: none"> (GY) Other colors available Consult Factory	Photo Cell 120 - 277V <ul style="list-style-type: none"> (PC__) Round Pole Adaptor <ul style="list-style-type: none"> (RPA) House Side Shield <ul style="list-style-type: none"> (HSS) Wall Plate <ul style="list-style-type: none"> (WP)

Direct Lighting reserves the right to make modifications or changes to any of its products without prior written notification and without incurring obligation. Actual performance can vary depending on surrounding conditions

Fairview



SPECIFICATIONS:

Housing:

Heavy-Duty cast and spun aluminum with fabricated aluminum bar construction in a manner to maintain a weather tight seal.

Lens:

Door assembly formed from one piece spun aluminum .080" corrosion resistant aluminum with stainless steel fasteners. The lens is A clear impact-resistant acrylic with glass refractor, secured by galvanized lens clips and sealed with silicone gasket to ensure protection from the harshest environment.

Electrical Assembly:

HID ballast constant wattage auto-transformer high power factor core and coil type, rated -20 degrees Fahrenheit starting temperature. Integrally Mounted in the luminaire and completely prewired. Each ballast assembly is thoroughly tested prior to shipment. Ballast And Electrical Components are "UL" Listed.

Lamp Socket:

Porcelain Socket pulse rated for HPS, MH, PS & CFL lamps. Lamp included.

Finish:

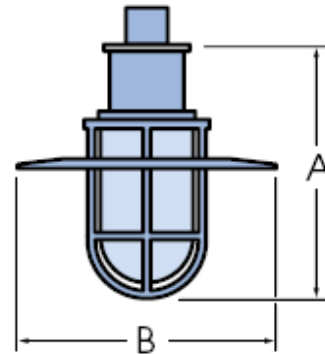
Thermoset Polyester Textured Powder Coat Finish, Chemically Pretreated Through a Multi-Stage Washer, Oven Baked at 400 Deg. Fahrenheit to insure Maximum Adherence.

One, two or three shades, base down or up

Job Information

Project:	Date:
Location:	
Fixture Type:	Cat. #
Lamp:	Volts:
Options & Accessories:	

DIMENSIONAL DRAWINGS



Model #	A	B	Max. Watt	EPA
FVW-1	20"	16"	100	2.0
FVW-2	28"	28"	250	2.4

ORDERING INFORMATION:

Model	Optics	Wattage	Source	Voltage	Mounting	Finish	Options
<ul style="list-style-type: none"> FVW-1 FVW-2 	Type III • (T3) Type V • (T5)	35w • (35) 50w • (50) 70w • (70) 100w • (100) 150w • (150) 175w • (175) 250w • (250)	HPS • (HPS) Metal Halide • (MH) Pulse Start Metal Halide • (PS) Compact Fluorescent • (CFL) Consult Factory	120 Volts • (120) 208 Volts • (208) 240 Volts • (240) 277 Volts • (277) 480 Volts • (480) Multi-Tap Ballast Factory wired at 277 volts unless otherwise specified.	Single • (S1) Double 180 • (D2) Double 90 • (D9) Triple 90 • (T90) Triple 120 • (T120) Quad • (Q4) Quad + post Top • (Q5)	Texture Bronze • (BZ) White • (WT) Black • (BK) Green • (GN) Grey • (GY) Other colors available Consult Factory	Photo Cell 120 - 277v • (PC___) Single Fuse • (SF) Double fuse • (DF) Internal Shield • (IS) Double Shade • (DS) Triple Shade • (TS) Base Up • (BU)

Direct Lighting reserves the right to make modifications or changes to any of its products without prior written notification and without incurring obligation. Actual performance can vary depending on surrounding conditions



Lyon

SPECIFICATIONS:

Job Information	
Project:	Date:
Location:	
Fixture Type:	Cat. #
Lamp:	Volts:
Options & Accessories:	
DIMENSIONAL DRAWINGS	

Housing:

Housing and Hood Made of Durable Spun corrosion Resistant Aluminum Construction, Fully Gasketed to Maintain Weather Tight Seal.

Lens:

Clear Acrylic Diffuser, Louvered Optical Stack, Bright Dipped Anodized Louver Assembly, Provides Wide Light Distribution and Precise Cutoff.

Reflector:

Underside of Hood is Powder Coated Specular White for maximum light Distribution

Electrical Assembly:

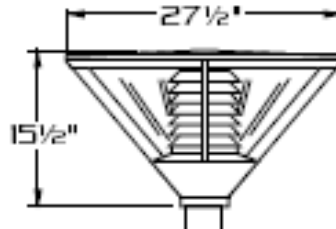
HID ballast constant wattage auto-transformer high power factor core and coil type, rated -20 degrees Fahrenheit starting temperature. Integrally Mounted in the luminaire and completely prewired. Each ballast assembly is thoroughly tested prior to shipment. Ballast And Electrical Components are "UL" Listed.

Lamp Socket:

Porcelain socket pulse rated for HPS & MH lamps. lamp included.

Finish:

Attractive dark bronze, white, black polyester powder coated finish for excellent impact, corrosion and UV resistance



Height	Diam.	Depth	MH	HPS	EPA	Weight
15.5"	27.5"		175	150	1.68	25 lbs.

ORDERING INFORMATION:

Model	Optics	Wattage	Source	Voltage	Mounting	Finish	Options
<ul style="list-style-type: none"> • Lyon 	Internal Louver <ul style="list-style-type: none"> • (IL) 	70w <ul style="list-style-type: none"> • (70) 100w <ul style="list-style-type: none"> • (100) 150w <ul style="list-style-type: none"> • (150) 175w <ul style="list-style-type: none"> • (175) Compact Fluorescent 2x42w <ul style="list-style-type: none"> • (242) 	High Pressure Sodium <ul style="list-style-type: none"> • (HPS) Metal Halide <ul style="list-style-type: none"> • (MH) Compact Fluorescent <ul style="list-style-type: none"> • (CFL) 	120 Volts <ul style="list-style-type: none"> • (120) 208 Volts <ul style="list-style-type: none"> • (208) 240 Volts <ul style="list-style-type: none"> • (240) 277 Volts <ul style="list-style-type: none"> • (277) 480 Volts <ul style="list-style-type: none"> • (480) Multi-Tap Ballast Factory wired at 277v unless otherwise specified.	Tenon Adaptor 2 3/8" <ul style="list-style-type: none"> • (TA238) Tenon Adaptor 3" <ul style="list-style-type: none"> • (TA3) Wall mount <ul style="list-style-type: none"> • (WM) 	Bronze <ul style="list-style-type: none"> • (BZ) White <ul style="list-style-type: none"> • (WT) Black <ul style="list-style-type: none"> • (BK) 	Photo Cell 120 - 480v <ul style="list-style-type: none"> • (PC__) Pier Mount <ul style="list-style-type: none"> • (PM) House side Shield <ul style="list-style-type: none"> • (HSS)

Direct Lighting Sales reserves the right to make modifications or changes to any of its products without prior written notification and without incurring obligation. Actual performance can vary depending on surrounding conditions

Main Street



SPECIFICATIONS:

Housing:

Die-cast aluminum construction, stainless steel hardware, Full Gasket housing protects from the harshest environment.

Lens & Removable Door Assembly:

Hinged door assembly formed from one piece die-cast corrosion resistant aluminum. The lens is A clear 1/8" tempered flat glass, secured by galvanized lens clips and sealed with silicone gasket To ensure protection from The harshest environment.

Electrical Assembly:

HID ballast constant wattage auto-transformer high power factor core and coil type, rated -20 degrees Fahrenheit starting temperature. Integrally Mounted in the luminaire and completely prewired. Each ballast assembly is thoroughly tested prior to shipment. Ballast and electrical components are "UL" listed.

Lamp Socket:

Porcelain Socket pulse rated for HPS, MH & PS lamps. Lamp included.

Finish:

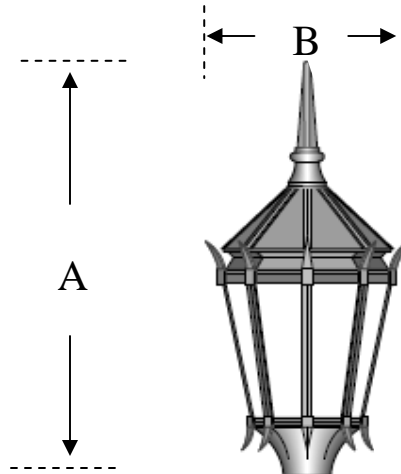
Thermoset polyester textured powder coat finish, chemically pretreated through a multi-stage washer, oven baked at 400 Deg. Fahrenheit to insure maximum adherence.

Decorative Architectural Style

Job Information

Project:	Date:
Location:	
Fixture Type:	Cat. #
Lamp:	Volts:
Options & Accessories:	

DIMENSIONAL DRAWINGS



Model #	A	B	Max. Watt	EPA
MST-1	40"	22"	250	2.2

Architectural HID Area Lighting

ORDERING INFORMATION:

Model	Optics	Wattage	Source	Voltage	Mounting	Finish	Options
<ul style="list-style-type: none"> MST-1 	Type II <ul style="list-style-type: none"> (T2) Type III <ul style="list-style-type: none"> (T3) Type IV <ul style="list-style-type: none"> (T4) Type V <ul style="list-style-type: none"> (T5) 	70w <ul style="list-style-type: none"> (70) 100w <ul style="list-style-type: none"> (100) 150w <ul style="list-style-type: none"> (150) 175w <ul style="list-style-type: none"> (175) 250w <ul style="list-style-type: none"> (250) 	HPS <ul style="list-style-type: none"> (HPS) Metal Halide <ul style="list-style-type: none"> (MH) Pulse Start Metal Halide <ul style="list-style-type: none"> (PS) Compact Fluorescent <ul style="list-style-type: none"> (CFL) Consult Factory	120 Volts <ul style="list-style-type: none"> (120) 208 Volts <ul style="list-style-type: none"> (208) 240 Volts <ul style="list-style-type: none"> (240) 277 Volts <ul style="list-style-type: none"> (277) 480 Volts <ul style="list-style-type: none"> (480) Multi-Tap Ballast Factory wired at 277 volts unless otherwise specified.	Single <ul style="list-style-type: none"> (S1) Mounts over 4" round Fitter Double 180 <ul style="list-style-type: none"> (D2) Double 90 <ul style="list-style-type: none"> (D9) Triple 90 <ul style="list-style-type: none"> (T90) Triple 120 <ul style="list-style-type: none"> (T120) Quad <ul style="list-style-type: none"> (Q4) Quad + post Top <ul style="list-style-type: none"> (Q5) 	Texture Bronze <ul style="list-style-type: none"> (BZ) White <ul style="list-style-type: none"> (WT) Black <ul style="list-style-type: none"> (BK) Green <ul style="list-style-type: none"> (GN) Grey <ul style="list-style-type: none"> (GY) Other colors available Consult Factory	Photo Cell 120 - 277v <ul style="list-style-type: none"> (PC__) Single Fuse <ul style="list-style-type: none"> (SF) Double fuse <ul style="list-style-type: none"> (DF) House side Shield <ul style="list-style-type: none"> (HSS) Quarts Re-strike <ul style="list-style-type: none"> (QR) Frosted Lens <ul style="list-style-type: none"> (FL)

Direct Lighting reserves the right to make modifications or changes to any of its products without prior written notification and without incurring obligation. Actual performance can vary depending on surrounding conditions

Monte Carlo



SPECIFICATIONS:

Housing:

Corrosion Resistant Cast Aluminum Alloy .188" Wall Thickness

Glass Lens:

The Lens is a Clear Tempered Flat glass, Secured by Galvanized Lens clips And Sealed With silicon Gasket to Ensure Protection From the Harsh Environment.

Optics:

A Horizontal Segmented Reflector With Specular Aluminum finish or glass Refractor types III or IV.

Electrical Assembly:

HID Ballast constant Wattage Auto-Transformer High Power Factor Core and coil Type, Rated -20 Degrees Fahrenheit Starting Temperature. Integrally Mounted in the Luminaire and Completely Prewired. Each Ballast Assembly Is Thoroughly Tested Prior To Shipment. Ballast and Electrical Components Are "UL" Listed.

Lamp Socket:

Standard Porcelain Socket Pulse Rated For MH, HPS Socket.

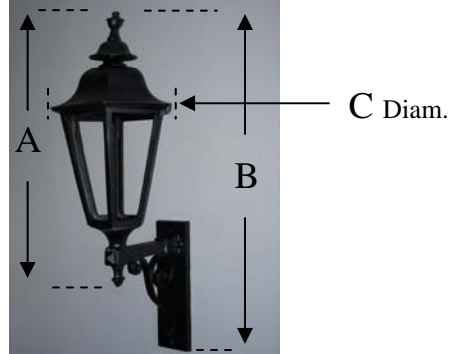
Finish:

Chemically pretreated through a multiple stage washer, thermoset polyester textured Powder Coat min. 2-4 mil. Thickness. Oven baked at 400 degrees Fahrenheit to insure maximum adherence.

Job Information

Project:	Date:
Location:	
Fixture Type:	Cat. #
Lamp:	Volts:
Options & Accessories:	

DIMENSIONAL DRAWINGS

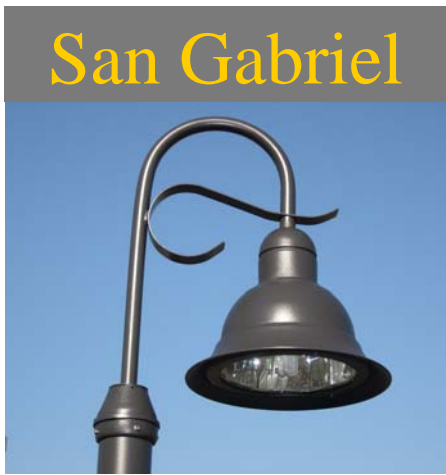


Fixture	A	B	C	HID Max. Watts	CFL Max.	LBS.
MCO-1	30"	40"	13"	175w	42w	42

ORDERING INFORMATION:

Model	Optics	Wattage	Source	Voltage	Wiring	Finish	Options
<ul style="list-style-type: none"> MCO-1 	TYPE II <ul style="list-style-type: none"> (T2) TYPE III <ul style="list-style-type: none"> (T3) TYPE V <ul style="list-style-type: none"> (5) Glass Refractor Type III <ul style="list-style-type: none"> (G3) Type V <ul style="list-style-type: none"> (G5) 	<u>HID</u> 50w <ul style="list-style-type: none"> (50) 70w <ul style="list-style-type: none"> (70) 100w <ul style="list-style-type: none"> (100) 175w <ul style="list-style-type: none"> (15) <u>CFL</u> 26w <ul style="list-style-type: none"> (26) 42w <ul style="list-style-type: none"> (42) 	Metal Halide <ul style="list-style-type: none"> (MH) Compact Fluorescent <ul style="list-style-type: none"> (CFL) Available In Dual Volts 120/277 Only	120 Volts <ul style="list-style-type: none"> (120) 208 Volts <ul style="list-style-type: none"> (208) 240 Volts <ul style="list-style-type: none"> (240) 277 Volts <ul style="list-style-type: none"> (277) 480 Volts <ul style="list-style-type: none"> (480) Multi-Tap Ballast Factory wired at 277v unless otherwise specified.	Pole Mount <ul style="list-style-type: none"> (PM) Wall Mount <ul style="list-style-type: none"> (WM) 	Texture Bronze <ul style="list-style-type: none"> (BZ) White <ul style="list-style-type: none"> (WT) Black <ul style="list-style-type: none"> (BK) Green <ul style="list-style-type: none"> (GN) Grey <ul style="list-style-type: none"> (GY) Custom Color <ul style="list-style-type: none"> (CC) Consult Factory	Photocell 120 - 277v <ul style="list-style-type: none"> (PC__) House Side Light Shield <ul style="list-style-type: none"> (HSS) Round Pole adaptor <ul style="list-style-type: none"> (RPA) Wall Plate <ul style="list-style-type: none"> (WP)

Direct Lighting Sales reserves the right to make modifications or changes to any of its products without prior written notification and without incurring obligation. Actual performance can vary depending on surrounding conditions



San Gabriel

SPECIFICATIONS:

Housing:

Corrosion resistant, Weather Tight Unit fabricated from spun Aluminum .080" Thick, Full Gasket Keeps out insects and Water.

Lens & Removable Door Assembly:

Hinged Door Assembly Formed from One Piece spun Aluminum .080" Corrosion Resistant Aluminum With Stainless Steel Fasteners. The Lens is A Clear 1/8" Tempered Flat Glass, Secured By Galvanized Lens Clips and Sealed With Silicone Gasket To Ensure Protection From The Harsh Environment.

Electrical Assembly:

HID ballast constant wattage auto-transformer high power factor core and coil type, rated -20 degrees Fahrenheit starting temperature. Integrally Mounted in the luminaire and completely prewired. Each ballast assembly is thoroughly tested prior to shipment. Ballast And Electrical Components are "UL" Listed.

Lamp Socket:

Porcelain Socket pulse rated for HPS, LPS, PS & CFL lamps. Lamp included.

Finish:

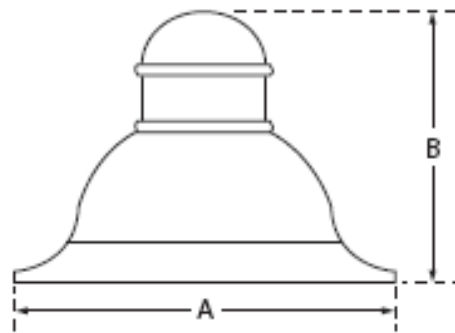
Thermoset Polyester Textured Powder Coat Finish, Chemically Pretreated Through a Multi-Stage Washer, Oven Baked at 400 Deg. Fahrenheit to insure Maximum Adherence.

Decorative Architectural Style

Job Information

Project:	Date:
Location:	
Fixture Type:	Cat. #
Lamp:	Volts:
Options & Accessories:	

DIMENSIONAL DRAWINGS



Model #	A	B	Max. Watt	EPA
SGL-1	24"	21"	250	4.0
SGL-2	26"	21"	400	4.8
SGL-3	30"	28"	1000	5.4

ORDERING INFORMATION:

Model	Optics	Wattage	Source	Voltage	Mounting	Finish	Options
<ul style="list-style-type: none"> SGL-1 SGL-2 SGL-3 	Type I <ul style="list-style-type: none"> (T1) Type II <ul style="list-style-type: none"> (T2) Type III <ul style="list-style-type: none"> (T3) Type IV <ul style="list-style-type: none"> (T4) Type V <ul style="list-style-type: none"> (T5) 	70w <ul style="list-style-type: none"> (70) 2-35w <ul style="list-style-type: none"> (235) 100w <ul style="list-style-type: none"> (100) 150w <ul style="list-style-type: none"> (150) 175w <ul style="list-style-type: none"> (175) 250w <ul style="list-style-type: none"> (250) 400w <ul style="list-style-type: none"> (400) 1000w <ul style="list-style-type: none"> (1000) 	HPS <ul style="list-style-type: none"> (HPS) Metal Halide <ul style="list-style-type: none"> (MH) Pulse Start <ul style="list-style-type: none"> (PS) Low Pressure Sodium <ul style="list-style-type: none"> (LPS) Compact Fluorescent <ul style="list-style-type: none"> (CFL) Consult Factory	120 Volts <ul style="list-style-type: none"> (120) 208 Volts <ul style="list-style-type: none"> (208) 240 Volts <ul style="list-style-type: none"> (240) 277 Volts <ul style="list-style-type: none"> (277) 480 Volts <ul style="list-style-type: none"> (480) Multi-Tap Ballast Factory wired at 277 volts unless otherwise specified.	Radius Arm <ul style="list-style-type: none"> (RA21) Wall Mount <ul style="list-style-type: none"> (WM) 	Texture Bronze <ul style="list-style-type: none"> (BZ) White <ul style="list-style-type: none"> (WT) Black <ul style="list-style-type: none"> (BK) Green <ul style="list-style-type: none"> (GN) Grey <ul style="list-style-type: none"> (GY) Other colors available Consult Factory	Photo Cell 120 - 277V <ul style="list-style-type: none"> (PC__) Single Fuse <ul style="list-style-type: none"> (SF) Double Fuse <ul style="list-style-type: none"> (DF)

Direct Lighting reserves the right to make modifications or changes to any of its products without prior written notification and without incurring obligation. Actual performance can vary depending on surrounding conditions

San Gabriel-m



SPECIFICATIONS:

Housing:

Corrosion resistant, Weather Tight Unit fabricated from spun Aluminum .080" Thick, Full Gasket Keeps out insects and Water.

Lens & Removable Door Assembly:

Door Assembly Formed from One Piece spun Aluminum .080" Corrosion Resistant Aluminum With Stainless Steel Fasteners. The Lens is A Clear 1/8" Tempered Flat Glass, Secured By Galvanized Lens Clips and Sealed With Closed Cell Silicone Gasket To Ensure Protection From The Harshest Environment.

Electrical Assembly:

Electronic ballast Integrally Mounted in the luminaire and completely prewired. Each ballast assembly is thoroughly tested prior to shipment. Ballast And Electrical Components are "UL" Listed.

Lamp Socket:

CFL socket. Lamp included.

Finish:

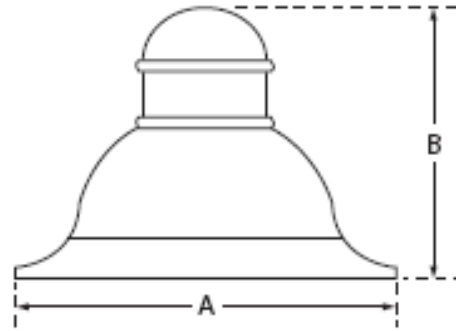
Thermoset Polyester Textured Powder Coat Finish, Chemically Pretreated Through a Multi-Stage Washer, Oven Baked at 400 Deg. Fahrenheit to insure Maximum Adherence.

Decorative Architectural Style

Job Information

Project:	Date:
Location:	
Fixture Type:	Cat. #
Lamp:	Volts:
Options & Accessories:	

DIMENSIONAL DRAWINGS



Model #	A	B	Max. Watt	EPA
SGL-M	16"	12"	42	3.2

ORDERING INFORMATION:

Model	Optics	Wattage	Source	Voltage	Mounting	Finish	Options
<ul style="list-style-type: none"> SGL-M 	Type I <ul style="list-style-type: none"> (T1) Type II <ul style="list-style-type: none"> (T2) Type III <ul style="list-style-type: none"> (T3) Type IV <ul style="list-style-type: none"> (T4) Type V <ul style="list-style-type: none"> (T5) 	26w <ul style="list-style-type: none"> (26) 28w <ul style="list-style-type: none"> (28) 32w <ul style="list-style-type: none"> (32) 42w <ul style="list-style-type: none"> (42) 	Compact Fluorescent <ul style="list-style-type: none"> (CFL) 	120 Volts <ul style="list-style-type: none"> (120) 208 Volts <ul style="list-style-type: none"> (208) 240 Volts <ul style="list-style-type: none"> (240) 277 Volts <ul style="list-style-type: none"> (277) Electronic Ballast will recognize any of the above mentioned voltages	Radius Arm <ul style="list-style-type: none"> (RA12) Wall Mount <ul style="list-style-type: none"> (WM) 	Texture Bronze <ul style="list-style-type: none"> (BZ) White <ul style="list-style-type: none"> (WT) Black <ul style="list-style-type: none"> (BK) Green <ul style="list-style-type: none"> (GN) Grey <ul style="list-style-type: none"> (GY) Other colors available Consult Factory	Photo Cell 120 - 277V <ul style="list-style-type: none"> (PC__) Single Fuse <ul style="list-style-type: none"> (SF) Double Fuse <ul style="list-style-type: none"> (DF)

Direct Lighting reserves the right to make modifications or changes to any of its products without prior written notification and without incurring obligation. Actual performance can vary depending on surrounding conditions



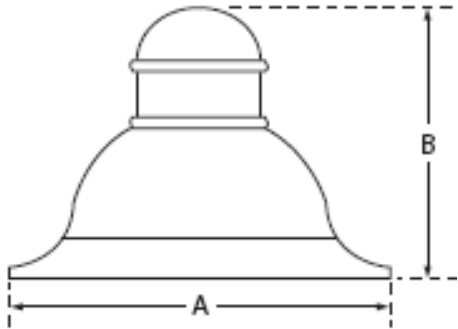
San Jacinto

Decorative Architectural Style

Job Information

Project:	Date:
Location:	
Fixture Type:	Cat. #
Lamp:	Volts:
Options & Accessories:	

DIMENSIONAL DRAWINGS



Model #	A	B	Max. Watt	EPA
SJO-1	24"	21"	250	4.0
SJO-2	26"	21"	400	4.8
SJO-3	30"	28"	1000	5.4

SPECIFICATIONS:

Housing:

Corrosion resistant, Weather Tight Unit fabricated from spun Aluminum .080" Thick, Full Gasket Keeps out insects and Water.

Lens & Removable Door Assembly:

Hinged Door Assembly Formed from One Piece spun Aluminum .080" Corrosion Resistant Aluminum With Stainless Steel Fasteners. The Lens is A Clear 1/8" Tempered Flat Glass, Secured By Galvanized Lens Clips and Sealed With Silicone Gasket To Ensure Protection From The Harsh Environment.

Electrical Assembly:

HID ballast constant wattage auto-transformer high power factor core and coil type, rated -20 degrees Fahrenheit starting temperature. Integrally Mounted in the luminaire and completely prewired. Each ballast assembly is thoroughly tested prior to shipment. Ballast And Electrical Components are "UL" Listed.

Lamp Socket:

Porcelain Socket pulse rated for HPS, MH, PS & CFL lamps. Lamp included.

Finish:

Thermoset Polyester Textured Powder Coat Finish, Chemically Pretreated Through a Multi-Stage Washer, Oven Baked at 400 Deg. Fahrenheit to insure Maximum Adherence.

ORDERING INFORMATION:

Model	Optics	Wattage	Source	Voltage	Mounting	Finish	Options
<ul style="list-style-type: none"> • SJO-1 • SJO-2 • SJO-3 	Type I <ul style="list-style-type: none"> • (T1) Type II <ul style="list-style-type: none"> • (T2) Type III <ul style="list-style-type: none"> • (T3) Type IV <ul style="list-style-type: none"> • (T4) Type V <ul style="list-style-type: none"> • (T5) 	70w <ul style="list-style-type: none"> • (70) 2-35w <ul style="list-style-type: none"> • (235) 100w <ul style="list-style-type: none"> • (100) 150w <ul style="list-style-type: none"> • (150) 175w <ul style="list-style-type: none"> • (175) 250w <ul style="list-style-type: none"> • (250) 400w <ul style="list-style-type: none"> • (400) 1000w <ul style="list-style-type: none"> • (1000) 	HPS <ul style="list-style-type: none"> • (HPS) Metal Halide <ul style="list-style-type: none"> • (MH) Pulse Start <ul style="list-style-type: none"> • (PS) Low Pressure Sodium <ul style="list-style-type: none"> • (LPS) Compact Fluorescent <ul style="list-style-type: none"> • (CFL) Consult Factory	120 Volts <ul style="list-style-type: none"> • (120) 208 Volts <ul style="list-style-type: none"> • (208) 240 Volts <ul style="list-style-type: none"> • (240) 277 Volts <ul style="list-style-type: none"> • (277) 480 Volts <ul style="list-style-type: none"> • (480) Multi-Tap Ballast Factory wired at 277 volts unless otherwise specified.	Radius Scroll <ul style="list-style-type: none"> • (RS21) 	Texture Bronze <ul style="list-style-type: none"> • (BZ) White <ul style="list-style-type: none"> • (WT) Black <ul style="list-style-type: none"> • (BK) Green <ul style="list-style-type: none"> • (GN) Grey <ul style="list-style-type: none"> • (GY) Other colors available Consult Factory	Photo Cell 120 - 277V <ul style="list-style-type: none"> • (PC__) Single Fuse <ul style="list-style-type: none"> • (SF) Double Fuse <ul style="list-style-type: none"> • (DF)

Direct Lighting reserves the right to make modifications or changes to any of its products without prior written notification and without incurring obligation. Actual performance can vary depending on surrounding conditions

San Marino



SPECIFICATIONS:

Housing:

Die-cast aluminum construction, stainless steel hardware, Full Gasket housing protects from the harshest environment.

Lens & Door Assembly:

Door assembly formed from one piece die-cast corrosion resistant aluminum. The lens is A clear 1/8" tempered flat glass, secured by galvanized lens clips and sealed with silicone gasket To ensure protection from The harshest environment.

Electrical Assembly:

HID ballast constant wattage auto-transformer high power factor core and coil type, rated -20 degrees Fahrenheit starting temperature. Integrally Mounted in the luminaire and completely prewired. Each ballast assembly is thoroughly tested prior to shipment. Ballast and electrical components are "UL" listed.

Lamp Socket:

Socket is a glazed porcelain socket pulse rated for HPS & PS lamps. Lamp included.

Finish:

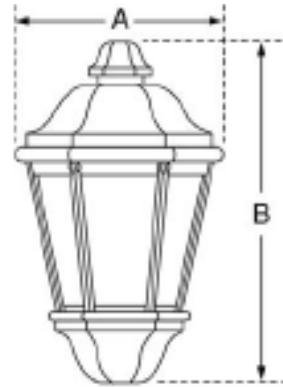
Thermoset polyester textured powder coat finish, chemically pretreated through a multi-stage washer, oven baked at 400 Deg. Fahrenheit to insure maximum adherence. Finish is guaranteed for two (2) years.

Ornamental Style

Job Information

Project:	Date:
Location:	
Fixture Type:	Cat. #
Lamp:	Volts:
Options & Accessories:	

DIMENSIONAL DRAWINGS



Model #	A	B	Max. Watt	LBS.
SMO-1	15"	29"	250	45

ORDERING INFORMATION:

Model	Optics	Wattage	Source	Voltage	Mounting	Finish	Options
<ul style="list-style-type: none"> SMO-1 	Lamp only <ul style="list-style-type: none"> (LO) Glass Refractor Type III <ul style="list-style-type: none"> (T3) Type V <ul style="list-style-type: none"> (T5) 	70w <ul style="list-style-type: none"> (70) 100w <ul style="list-style-type: none"> (100) 150w <ul style="list-style-type: none"> (150) 250w <ul style="list-style-type: none"> (250) 	High Pressure Sodium <ul style="list-style-type: none"> (HPS) Pulse Start Metal Halide <ul style="list-style-type: none"> (PS) 	120 Volts <ul style="list-style-type: none"> (120) 208 Volts <ul style="list-style-type: none"> (208) 240 Volts <ul style="list-style-type: none"> (240) 277 Volts <ul style="list-style-type: none"> (277) 480 Volts <ul style="list-style-type: none"> (480) Multi-Tap Ballast Factory wired at 277 volts unless otherwise specified.	Post Top Fitter <ul style="list-style-type: none"> (PTF) Over 3" O.D. Tenon	Texture Bronze <ul style="list-style-type: none"> (BZ) White <ul style="list-style-type: none"> (WT) Black <ul style="list-style-type: none"> (BK) Other colors available Consult Factory	Photo Cell 120v <ul style="list-style-type: none"> (PC12) 208v <ul style="list-style-type: none"> (PC20) 240v <ul style="list-style-type: none"> (PC24) 277v <ul style="list-style-type: none"> (PC27) Clear Lens <ul style="list-style-type: none"> (CL) Internal House Side Shield <ul style="list-style-type: none"> (HSS)

Santa Fe Round



SPECIFICATIONS:

Housing:

A weather tight unit fabricated from spun aluminum .080" thick Full gasketing keeps out insects and water.

Optics:

Both the interior reflector and the polished parabolic distribution reflector are made of spun aluminum; they provide extremely high reflectivity to produce wide efficient light distribution

Electrical Assembly:

HID Ballast constant Wattage Auto-Transformer High Power Factor Core and coil Type, Rated -20 Degrees Fahrenheit Staring Temperature. Integrally Mounted in the Luminaire and Completely Prewired. Each Ballast Assembly Is Thoroughly Tested Prior To Shipment. Ballast and Electrical Components Are "UL" Listed.

Lamp Socket:

Porcelain Socket pulse rated at 5K & 600V for HPS, MH & PS lamps.

Finish:

Chemically pretreated through a multiple stage washer, thermoset polyester textured Powder Coat. Oven baked at 400 degrees Fahrenheit to insure maximum adherence.

Job Information

Project: _____ Date: _____

Location: _____

Fixture Type: _____ Cat. # _____

Lamp: _____ Volts: _____

Options & Accessories: _____

DIMENSIONAL DRAWINGS



Fixture	Height	Diam.		Maximum Watts
SFE-1	21"	12"	12"	70w - 250w
SFE-2	32"	20"	20"	400w

ORDERING INFORMATION:

Model	Optics	Wattage	Source	Voltage	Wiring	Finish	Options
<ul style="list-style-type: none"> SFE-1 SFE-2 	<ul style="list-style-type: none"> Symmetric (SYM) 	70w <ul style="list-style-type: none"> (70) 100w <ul style="list-style-type: none"> (100) 150w <ul style="list-style-type: none"> (150) 175w <ul style="list-style-type: none"> (175) 250w <ul style="list-style-type: none"> (250) 320w <ul style="list-style-type: none"> (320) 400w <ul style="list-style-type: none"> (400) 	HPS <ul style="list-style-type: none"> (HPS) Metal Halide <ul style="list-style-type: none"> (MH) Pulse Start Metal Halide <ul style="list-style-type: none"> (PS) Compact Fluorescent <ul style="list-style-type: none"> (CFL) Consult Factory	120 Volts <ul style="list-style-type: none"> (120) 208 Volts <ul style="list-style-type: none"> (208) 240 Volts <ul style="list-style-type: none"> (240) 277 Volts <ul style="list-style-type: none"> (277) 480 Volts <ul style="list-style-type: none"> (480) Quad-tap <ul style="list-style-type: none"> (MT) Multi-Tap Ballast Factory wired at 277v unless otherwise specified.	Pole top Adaptor (PTA) 	Bronze <ul style="list-style-type: none"> (BZ) White <ul style="list-style-type: none"> (WT) Black <ul style="list-style-type: none"> (BK) Green <ul style="list-style-type: none"> (GN) Grey <ul style="list-style-type: none"> (GY) Custom Color <ul style="list-style-type: none"> (CC) Consult Factory	Photocell 120 - 277V <ul style="list-style-type: none"> (PC__) <ul style="list-style-type: none"> (PR480) Photocell & Shorting cap <ul style="list-style-type: none"> (PSC) House Side Light Shield <ul style="list-style-type: none"> (HSS) Wall Plate <ul style="list-style-type: none"> (WP)

Direct Lighting Sales reserves the right to make modifications or changes to any of its products without prior written notification and without incurring obligation. Actual performance can vary depending on surrounding conditions

Santa Fe Square



SPECIFICATIONS:

Housing:

A weather tight unit fabricated from one-piece aluminum .080" thick, continuous heliarc welded at all seams, 1/4" Clear Acrylic Lens. Full gasket keeps out insects and water.

Optics:

Both the interior reflector and the polished para-line distribution reflector are made of spun aluminum; they provide extremely high reflectivity to produce wide efficient light distribution

Electrical Assembly:

HID ballast constant wattage auto-transformer high power factor core and coil type, rated -20 degrees Fahrenheit starting temperature. Integrally mounted in the luminaire and completely prewired. Each ballast Assembly is thoroughly tested prior to shipment. Ballast and electrical Components are "UL" listed.

Lamp Socket:

Porcelain Socket pulse rated at 5K & 600V for HPS, MH & PS lamps.

Finish:

Thermoset polyester textured Powder Coat, chemically pretreated through a multiple stage washer, Oven baked at 400 degrees Fahrenheit to insure maximum adherence.

Job Information

Project: _____ Date: _____

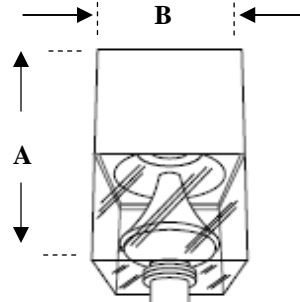
Location: _____

Fixture Type: _____ Cat. # _____

Lamp: _____ Volts: _____


Options & Accessories: _____

DIMENSIONAL DRAWINGS



Fixture	A	B Sq.	Max. Watts	EPA
SFE-1	20"	12"	250w	2.12
SFE-2	32"	20"	400w	5.19

ORDERING INFORMATION:

Model	Optics	Wattage	Source	Voltage	Mounting	Finish	Options
<ul style="list-style-type: none"> SFE-1 SFE-2 	Symmetric <ul style="list-style-type: none"> (SYM) 	70w <ul style="list-style-type: none"> (70) 100w <ul style="list-style-type: none"> (100) 150w <ul style="list-style-type: none"> (150) 175w <ul style="list-style-type: none"> (175) 250w <ul style="list-style-type: none"> (250) 320w <ul style="list-style-type: none"> (320) 400w <ul style="list-style-type: none"> (400) 	High Pressure Sodium <ul style="list-style-type: none"> (HPS) Metal Halide <ul style="list-style-type: none"> (MH) Pulse Start Metal Halide <ul style="list-style-type: none"> (PS) 	120 Volts <ul style="list-style-type: none"> (120) 208 Volts <ul style="list-style-type: none"> (208) 240 Volts <ul style="list-style-type: none"> (240) 277 Volts <ul style="list-style-type: none"> (277) 480 Volts <ul style="list-style-type: none"> (480) Quad-tap <ul style="list-style-type: none"> (MT) Multi-Tap Ballast Factory wired at 277 v unless otherwise specified.	Pole top Adaptor (PTA) 	Bronze <ul style="list-style-type: none"> (BZ) White <ul style="list-style-type: none"> (WT) Black <ul style="list-style-type: none"> (BK) Green <ul style="list-style-type: none"> (GN) Grey <ul style="list-style-type: none"> (GY) Custom Color <ul style="list-style-type: none"> (CC) Consult Factory	Photocell 120 - 277v <ul style="list-style-type: none"> (PC__) Photocell & Shorting cap <ul style="list-style-type: none"> (PSC) House Side Light Shield <ul style="list-style-type: none"> (HSS) Round Pole adaptor <ul style="list-style-type: none"> (RPA) Wall Plate <ul style="list-style-type: none"> (WP)

Direct Lighting Sales reserves the right to make modifications or changes to any of its products without prior written notification and without incurring obligation. Actual performance can vary depending on surrounding conditions

San Vicente

Decorative Architectural Style



SPECIFICATIONS:

Housing:

Corrosion resistant, Weather Tight Unit fabricated from spun Aluminum .080" Thick, Full Gasket Keeps out insects and Water.

Lens & Removable Door Assembly:

Hinged Door Assembly Formed from One Piece spun Aluminum .080" Corrosion Resistant Aluminum With Stainless Steel Fasteners. The Lens is A Clear 1/8" Tempered Flat Glass, Secured By Galvanized Lens Clips and Sealed With Silicone Gasket To Ensure Protection From The Harsh Environment.

Electrical Assembly:

HID ballast constant wattage auto-transformer high power factor core and coil type, rated -20 degrees Fahrenheit starting temperature. Integrally Mounted in the luminaire and completely prewired. Each ballast assembly is thoroughly tested prior to shipment. Ballast And Electrical Components are "UL" Listed.

Lamp Socket:

Porcelain Socket pulse rated for HPS, LPS, PS & CFL lamps. Lamp included.

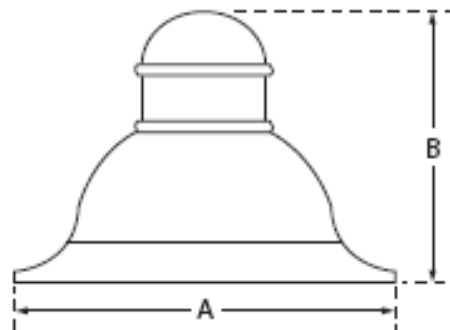
Finish:

Thermoset Polyester Textured Powder Coat Finish, Chemically Pretreated Through a Multi-Stage Washer, Oven Baked at 400 Deg. Fahrenheit to insure Maximum Adherence.

Job Information

Project:	Date:
Location:	
Fixture Type:	Cat. #
Lamp:	Volts:
Options & Accessories:	

DIMENSIONAL DRAWINGS



Model #	A	B	Max. Watt	EPA
SVE-1	24"	21"	250	4.0
SVE-2	26"	21"	400	4.8
SVE-3	30"	28"	1000	5.4

ORDERING INFORMATION:

Model	Optics	Wattage	Source	Voltage	Mounting	Finish	Options
<ul style="list-style-type: none"> SVE-1 SVE-2 SVE-3 	Type I <ul style="list-style-type: none"> (T1) Type II <ul style="list-style-type: none"> (T2) Type III <ul style="list-style-type: none"> (T3) Type IV <ul style="list-style-type: none"> (T4) Type V <ul style="list-style-type: none"> (T5) 	70w <ul style="list-style-type: none"> (70) 2-35w <ul style="list-style-type: none"> (235) 100w <ul style="list-style-type: none"> (100) 150w <ul style="list-style-type: none"> (150) 175w <ul style="list-style-type: none"> (175) 250w <ul style="list-style-type: none"> (250) 400w <ul style="list-style-type: none"> (400) 1000w <ul style="list-style-type: none"> (1000) 	HPS <ul style="list-style-type: none"> (HPS) Metal Halide <ul style="list-style-type: none"> (MH) Pulse Start <ul style="list-style-type: none"> (PS) Low Pressure Sodium <ul style="list-style-type: none"> (LPS) Compact Fluorescent <ul style="list-style-type: none"> (CFL) Consult Factory	120 Volts <ul style="list-style-type: none"> (120) 208 Volts <ul style="list-style-type: none"> (208) 240 Volts <ul style="list-style-type: none"> (240) 277 Volts <ul style="list-style-type: none"> (277) 480 Volts <ul style="list-style-type: none"> (480) Multi-Tap Ballast Factory wired at 277 volts unless otherwise specified.	Radius Arm <ul style="list-style-type: none"> (RA21) 	Texture Bronze <ul style="list-style-type: none"> (BZ) White <ul style="list-style-type: none"> (WT) Black <ul style="list-style-type: none"> (BK) Green <ul style="list-style-type: none"> (GN) Grey <ul style="list-style-type: none"> (GY) Other colors available Consult Factory	Photo Cell 120 - 277V <ul style="list-style-type: none"> (PC__) Single Fuse <ul style="list-style-type: none"> (SF) Double Fuse <ul style="list-style-type: none"> (DF)

Direct Lighting reserves the right to make modifications or changes to any of its products without prior written notification and without incurring obligation. Actual performance can vary depending on surrounding conditions

Stealth



SPECIFICATIONS:

Housing:

Heavy-Duty cast and spun aluminum with fabricated aluminum bar construction in a manner to maintain a weather tight seal.

Lens:

Door assembly support formed from one piece cast aluminum corrosion resistant aluminum with stainless steel fasteners. The lens is A clear impact-resistant acrylic with glass refractor, secured by galvanized lens clips and sealed with silicone gasket to ensure protection from the harshest environment.

Electrical Assembly:

HID ballast constant wattage auto-transformer high power factor core and coil type, rated -20 degrees Fahrenheit starting temperature. Integrally Mounted in the luminaire and completely prewired. Each ballast assembly is thoroughly tested prior to shipment. Ballast And Electrical Components are "UL" Listed.

Lamp Socket:

Porcelain Socket pulse rated for HPS, PS & CFL lamps. Lamp included.

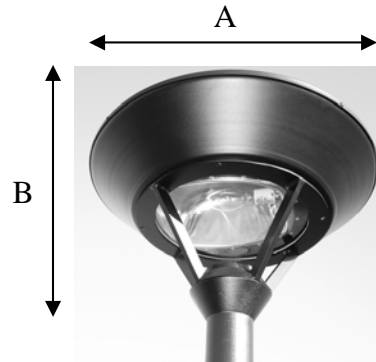
Finish:

Thermoset Polyester Textured Powder Coat Finish, Chemically Pretreated Through a Multi-Stage Washer, Oven Baked at 400 Deg. Fahrenheit to insure Maximum Adherence.

Job Information

Project:	Date:
Location:	
Fixture Type:	Cat. #
Lamp:	Volts:
Options & Accessories:	

DIMENSIONAL DRAWINGS



Model #	A	B	Max. Watt	EPA
STH-1	28.5"	14.5"	250	2.0

ORDERING INFORMATION:

Model	Optics	Wattage	Source	Voltage	Mounting	Finish	Options
<ul style="list-style-type: none"> • STH-1 	Type II <ul style="list-style-type: none"> • (T2) Type III <ul style="list-style-type: none"> • (T3) Type V <ul style="list-style-type: none"> • (T5) 	35w <ul style="list-style-type: none"> • (35) 50w <ul style="list-style-type: none"> • (50) 70w <ul style="list-style-type: none"> • (70) 100w <ul style="list-style-type: none"> • (100) 150w <ul style="list-style-type: none"> • (150) 175w <ul style="list-style-type: none"> • (175) 250w <ul style="list-style-type: none"> • (250) 	HPS <ul style="list-style-type: none"> • (HPS) Pulse Start Metal Halide <ul style="list-style-type: none"> • (PS) Compact Fluorescent <ul style="list-style-type: none"> • (CFL) Consult Factory	120 Volts <ul style="list-style-type: none"> • (120) 208 Volts <ul style="list-style-type: none"> • (208) 240 Volts <ul style="list-style-type: none"> • (240) 277 Volts <ul style="list-style-type: none"> • (277) 480 Volts <ul style="list-style-type: none"> • (480) Multi-Tap Ballast Factory wired at 277 volts unless otherwise specified.	Post Top Fitter <ul style="list-style-type: none"> • (PTF) Mounts to inside of 4" round or outside of 3" round Pole Custom Mount <ul style="list-style-type: none"> • (CM) Other mounting available consult factory	Texture Bronze <ul style="list-style-type: none"> • (BZ) White <ul style="list-style-type: none"> • (WT) Black <ul style="list-style-type: none"> • (BK) Green <ul style="list-style-type: none"> • (GN) Grey <ul style="list-style-type: none"> • (GY) Other colors available consult factory	Photo Cell 120 - 277v <ul style="list-style-type: none"> • (PC__) Single Fuse <ul style="list-style-type: none"> • (SF) Double fuse <ul style="list-style-type: none"> • (DF) Quartz restrrike <ul style="list-style-type: none"> • (QR)

Direct Lighting reserves the right to make modifications or changes to any of its products without prior written notification and without incurring obligation. Actual performance can vary depending on surrounding conditions



Top Hat

Decorative Architectural Style

Job Information

Project:	Date:
Location:	
Fixture Type:	Cat. #
Lamp:	Volts:
Options & Accessories:	

DIMENSIONAL DRAWINGS

SPECIFICATIONS:

Housing:

Heavy-Duty spun aluminum housing and shade construction in a manner to maintain a weather tight seal.

Lens:

Hood assembly formed from one piece spun aluminum .080" corrosion resistant aluminum with stainless steel fasteners. The lens is A clear impact-resistant acrylic, secured by galvanized lens clips and sealed with silicone gasket to ensure protection from the harshest environment.

Electrical Assembly:

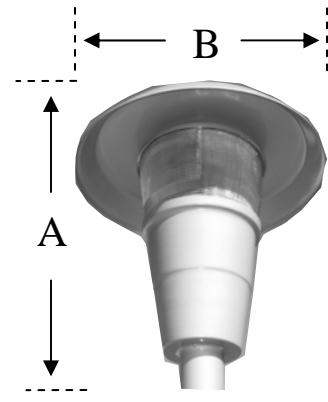
HID ballast constant wattage auto-transformer high power factor core and coil type, rated -20 degrees Fahrenheit starting temperature. Integrally Mounted in the luminaire and completely prewired. Each ballast assembly is thoroughly tested prior to shipment. Ballast And Electrical Components are "UL" Listed.

Lamp Socket:

Porcelain Socket pulse rated for HPS, MH, PS & CFL lamps. Lamp included.

Finish:

Thermoset Polyester Textured Powder Coat Finish, Chemically Pretreated Through a Multi-Stage Washer, Oven Baked at 400 Deg. Fahrenheit to insure Maximum Adherence.



Model #	A	B	Max. Watt	EPA
THT-1	25"	24"	175	2.0

ORDERING INFORMATION:

Model	Optics	Wattage	Source	Voltage	Mounting	Finish	Options
<ul style="list-style-type: none"> THT-1 	Type III <ul style="list-style-type: none"> (T3) Type V <ul style="list-style-type: none"> (T5) 	70w <ul style="list-style-type: none"> (70) 100w <ul style="list-style-type: none"> (100) 150w <ul style="list-style-type: none"> (150) 175w <ul style="list-style-type: none"> (175) 	HPS <ul style="list-style-type: none"> (HPS) Metal Halide <ul style="list-style-type: none"> (MH) Pulse Start Metal Halide <ul style="list-style-type: none"> (PS) Compact Fluorescent <ul style="list-style-type: none"> (CFL) Consult Factory	120 Volts <ul style="list-style-type: none"> (120) 208 Volts <ul style="list-style-type: none"> (208) 240 Volts <ul style="list-style-type: none"> (240) 277 Volts <ul style="list-style-type: none"> (277) 480 Volts <ul style="list-style-type: none"> (480) Multi-Tap Ballast Factory wired at 277 volts unless otherwise specified.	Single <ul style="list-style-type: none"> (S1) Mounts over 3" round fitter Double <ul style="list-style-type: none"> (D2) See decorative arm options table	Texture Bronze <ul style="list-style-type: none"> (BZ) White <ul style="list-style-type: none"> (WT) Black <ul style="list-style-type: none"> (BK) Green <ul style="list-style-type: none"> (GN) Grey <ul style="list-style-type: none"> (GY) Other colors available Consult Factory	Photo Cell 120 thru 277v <ul style="list-style-type: none"> (PC__) Single Fuse <ul style="list-style-type: none"> (SF) Double fuse <ul style="list-style-type: none"> (DF)

Direct Lighting reserves the right to make modifications or changes to any of its products without prior written notification and without incurring obligation. Actual performance can vary depending on surrounding conditions