



Advantage

SPECIFICATIONS:

Housing:

weather tight unit fabricated from .080" thick aluminum continuous heliarc welded at all seams. Features a .125" ballast plate and a .250" Reinforcing plate for arm attachment, tapped to accept the mounting arm's thru-bolts, so there is no need to open the fixture during mounting.

Lens & Removable Door Assembly:

Hinged door assembly formed from one piece .080" corrosion resistant aluminum with stainless steel fasteners. The lens is a clear tempered flat Glass, secured by galvanized lens clips and sealed with silicone gasket to ensure protection from the harshest environment.

Optics:

A Horizontal segmented reflector with high performance specular aluminum finish available in (4) distribution patterns

Electrical Assembly:

HID ballast constant wattage auto-transformer high power factor core and coil type, rated -20 degrees Fahrenheit starting temperature. Integrally Mounted in the luminaire and completely prewired. Each ballast assembly is thoroughly tested prior to shipment. Ballast And Electrical Components are "UL" Listed.

Lamp Socket:

Porcelain Socket pulse rated at 5K & 600V for HPS, MH & PS lamps.

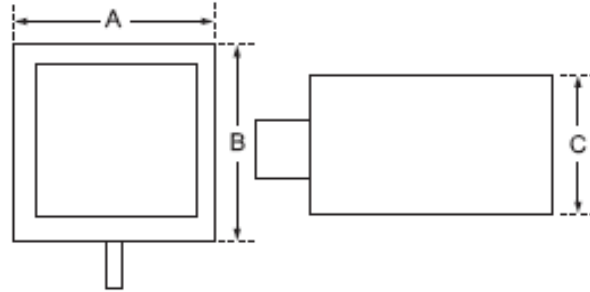
Finish:

Chemically pretreated through a multiple stage washer, thermoset polyester textured Powder Coat. Thickness. Oven baked at 400 degrees Fahrenheit to insure maximum adherence.

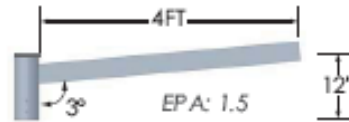
Job Information

| | |
|------------------------|--------|
| Project: | Date: |
| Location: | |
| Fixture Type: | Cat. # |
| Lamp: | Volts: |
| Options & Accessories: | |

DIMENSIONAL DRAWINGS



| Fixture | A | B | C | Maximum Watts | Lens | LBS |
|---------|-----|-----|-----|---------------|------|-----|
| ADV-1 | 27" | 21" | 10" | 1000w | Flat | 70 |
| ADV-2 | 31" | 25" | 10" | 1000w | Flat | 75 |



EZ Mount System

ORDERING INFORMATION:

| Model | Optics | Wattage | Source | Voltage | Mounting | Finish | Options |
|--|---|---|---|---|---|--|---|
| <ul style="list-style-type: none"> • ADV-1 • ADV-2 | <ul style="list-style-type: none"> • TYPE II (T2) • TYPE III (T3) • TYPE IV (T4) • TYPE V (5) | 750w <ul style="list-style-type: none"> • (750) 1000w <ul style="list-style-type: none"> • (1000) | Metal Halide <ul style="list-style-type: none"> • (MH) Pulse Start Metal Halide <ul style="list-style-type: none"> • (PS) | 120 Volts <ul style="list-style-type: none"> • (120) 208 Volts <ul style="list-style-type: none"> • (208) 240 Volts <ul style="list-style-type: none"> • (240) 277 Volts <ul style="list-style-type: none"> • (277) 480 Volts <ul style="list-style-type: none"> • (480) Multi-Tap <ul style="list-style-type: none"> • (MT) Multi-Tap Ballast Factory wired at 277v unless otherwise specified. | Bolt on Arm <ul style="list-style-type: none"> • (BOA) EZ Mount <ul style="list-style-type: none"> • (EZ) | Bronze <ul style="list-style-type: none"> • (BZ) White <ul style="list-style-type: none"> • (WT) Black <ul style="list-style-type: none"> • (BK) Green <ul style="list-style-type: none"> • (GN) Grey <ul style="list-style-type: none"> • (GY) Custom <ul style="list-style-type: none"> • (CC) Consult Factory | Photocell 120 - 480v <ul style="list-style-type: none"> • (PC__) Photocell & Shorting cap <ul style="list-style-type: none"> • (PSC) House Side Light Shield <ul style="list-style-type: none"> • (HSS) Round Pole adaptor <ul style="list-style-type: none"> • (RPA) Wall Plate <ul style="list-style-type: none"> • (WP) Tail Bracket <ul style="list-style-type: none"> • (TB) |

Direct Lighting Sales reserves the right to make modifications or changes to any of its products without prior written notification and without incurring obligation. Actual performance can vary depending on surrounding conditions

Aerolux



SPECIFICATIONS:

Housing:

Die-cast aluminum construction, stainless steel hardware, Full Gasket housing protects from the harshest environment.

Lens & Removable Door Assembly:

Hinged door assembly formed from one piece die-cast corrosion resistant aluminum. The lens is A clear 1/8" tempered flat glass, secured by galvanized lens clips and sealed with silicone gasket To ensure protection from The harshest environment.

Electrical Assembly:

HID ballast constant wattage auto-transformer high power factor core and coil type, rated -20 degrees Fahrenheit starting temperature. Integrally Mounted in the luminaire and completely prewired. Each ballast assembly is thoroughly tested prior to shipment. Ballast and electrical components are "UL" listed.

Lamp Socket:

Porcelain Socket pulse rated for HPS & PS lamps. Lamp included.

Finish:

Thermoset polyester textured powder coat finish, chemically pretreated through a multi-stage washer, oven baked at 400 Deg. Fahrenheit to insure maximum adherence.

Decorative Architectural Style

Job Information

Project: _____ Date: _____

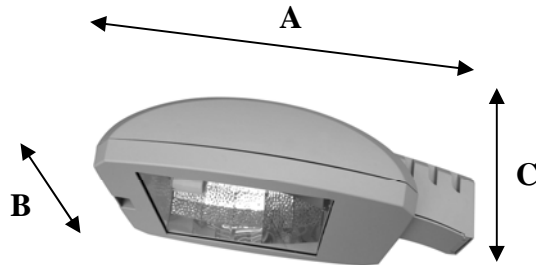
Location: _____

Fixture Type: _____ Cat. # _____

Lamp: _____ Volts: _____

Options & Accessories: _____

DIMENSIONAL DRAWINGS



Tool less Entry & Aero dynamic Design

| Model # | A | B | C | Max. Watt | LBS. | EPA |
|---------|-----|-----|----|-----------|------|-----|
| ALX-1 | 31" | 19" | 8" | 400 | 30 | 1.4 |

ORDERING INFORMATION:

| Model | Optics | Wattage | Source | Voltage | Mounting | Finish | Options |
|---|--|--|--|---|--|---|--|
| <ul style="list-style-type: none"> ALX-1 | Type II <ul style="list-style-type: none"> (T2) Type III <ul style="list-style-type: none"> (T3) Type IV <ul style="list-style-type: none"> (T4) | 70w <ul style="list-style-type: none"> (70) 100w (100) 150w (150) 175w (175) 250w (250) 400w (400) | High Pressure Sodium <ul style="list-style-type: none"> (HPS) Pulse Start Metal Halide <ul style="list-style-type: none"> (PS) | 120 Volts <ul style="list-style-type: none"> (120) 208 Volts <ul style="list-style-type: none"> (208) 240 Volts <ul style="list-style-type: none"> (240) 277 Volts <ul style="list-style-type: none"> (277) 480 Volts <ul style="list-style-type: none"> (480) Multi-Tap Ballast Factory wired at 277 volts unless otherwise specified. | Radius Arm <ul style="list-style-type: none"> (RA) | Texture Bronze <ul style="list-style-type: none"> (BZ) White <ul style="list-style-type: none"> (WT) Black <ul style="list-style-type: none"> (BK) Other colors available Consult Factory | Photo Cell 120w <ul style="list-style-type: none"> (PC12) 208w (PC20) 240w (PC24) 277w (PC27) Round Pole Adaptor <ul style="list-style-type: none"> (RPA) Internal House Side Shield <ul style="list-style-type: none"> (HSS) Wall Plate <ul style="list-style-type: none"> (WP) |

AL50

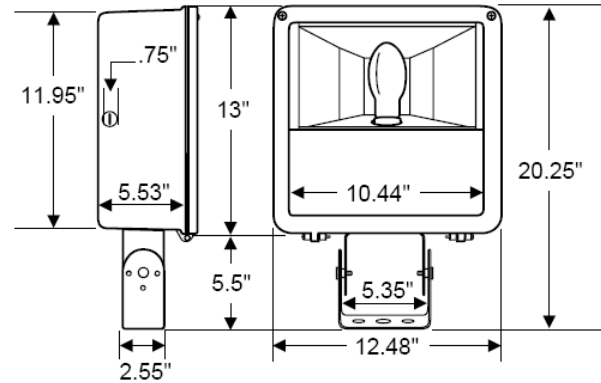


SPECIFICATIONS:

Job Information

| | |
|------------------------|--------|
| Project: | Date: |
| Location: | |
| Fixture Type: | Cat. # |
| Lamp: | Volts: |
| Options & Accessories: | |

DIMENSIONAL DRAWINGS



| Length | Width | Depth | MH | HPS | EPA | Weight |
|--------|--------|-------|-----|-----|------|---------|
| 13" | 12.48" | 5.53" | 175 | 150 | 1.20 | 21 lbs. |

Housing:

Die-cast aluminum door & housing has two captive stainless steel fasteners and can be removed from the die-cast aluminum housing.

Lens:

Clear glass Lens, 1/8" tempered, gasket and silicone sealed

Reflector:

Segmented anodized specular aluminum reflector .

Ballast Assembly:

HID Ballast constant Wattage Auto-Transformer High Power Factor Core And coil Type, Rated -20 Degrees Fahrenheit Starting Temperature. Integrally Mounted in the Luminaire and Completely Prewired. Each Ballast Assembly Is Thoroughly Tested Prior To Shipment. Ballast and Electrical Components Are "UL" Listed.

Lamp Socket:

Porcelain socket pulse rated for HPS & MH lamps. lamp included.

Finish:

Attractive dark bronze, white, black polyester powder coated finish for excellent impact, corrosion and UV resistance

ORDERING INFORMATION:

| Model | Optics | Wattage | Source | Voltage | Mounting | Finish | Options |
|--|---|---|--|--|--|---|--|
| <ul style="list-style-type: none"> AL50 | Flood Wide <ul style="list-style-type: none"> (FW) Full Cut-Off Forward Throw Type IV <ul style="list-style-type: none"> (T4) | 50w <ul style="list-style-type: none"> (50) 70w <ul style="list-style-type: none"> (70) 100w <ul style="list-style-type: none"> (100) 175w <ul style="list-style-type: none"> (175) | High pressure sodium <ul style="list-style-type: none"> (HPS) Metal Halide <ul style="list-style-type: none"> (MH) | 120 Volts <ul style="list-style-type: none"> (120) 208 Volts <ul style="list-style-type: none"> (208) 240 Volts <ul style="list-style-type: none"> (240) 277 Volts <ul style="list-style-type: none"> (277) 480 Volts <ul style="list-style-type: none"> (480) Multi-Tap Ballast Factory wired at 277 v unless otherwise specified. | Slipfitter <ul style="list-style-type: none"> (SF) Trunion <ul style="list-style-type: none"> (TR) 6" Bolt on Arm <ul style="list-style-type: none"> (6BOA) 10" Bolt on Arm <ul style="list-style-type: none"> (10BOA) | Bronze <ul style="list-style-type: none"> (BZ) White <ul style="list-style-type: none"> (WT) Black <ul style="list-style-type: none"> (BK) Custom Color <ul style="list-style-type: none"> (CC) Consult Factory | Photo Cell 120-277v <ul style="list-style-type: none"> (PC__) Glare Shield <ul style="list-style-type: none"> (GS) Wire Guard <ul style="list-style-type: none"> (WG) |

Direct Lighting Sales reserves the right to make modifications or changes to any of its products without prior written notification and without incurring obligation. Actual performance can vary depending on surrounding conditions



AL828

SPECIFICATIONS:

| <i>Job Information</i> | |
|-----------------------------|--------|
| Project: | Date: |
| Location: | |
| Fixture Type: | Cat. # |
| Lamp: | Volts: |
| Options & Accessories: | |
| <i>DIMENSIONAL DRAWINGS</i> | |

Housing:

Die-cast aluminum door has four captive stainless steel fasteners and can be removed from the die-cast aluminum housing.

Lens:

Clear glass Lens, 1/8" tempered, gasket and silicone Sealed.

Reflector:

Segmented anodized specular aluminum reflector.

Electrical Assembly:

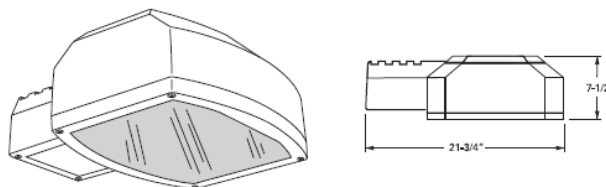
HID ballast constant wattage auto-transformer high power factor core and coil type, rated -20 degrees Fahrenheit starting temperature. Integrally Mounted in the luminaire and completely prewired. Each ballast assembly is thoroughly tested prior to shipment. Ballast And Electrical Components are "UL" Listed.

Lamp Socket:

Porcelain socket pulse rated for HPS, MH & PS lamps. lamp included.

Finish:

Attractive dark bronze, white, black polyester powder coated finish for excellent impact, corrosion and UV resistance



| Height | Width | Depth | MH | HPS | EPA | Weight |
|--------|-------|--------|-----|-----|-----|---------|
| 7.5" | 18" | 21.75" | 400 | 400 | 2.3 | 48 lbs. |

ORDERING INFORMATION:

| Model | Optics | Wattage | Source | Voltage | Mounting | Finish | Options |
|---|--|---|---|---|--|---|--|
| <ul style="list-style-type: none"> AR828 | <ul style="list-style-type: none"> Type I (T1) Type II (T2) Type III (T3) Type IV (T4) | 100w <ul style="list-style-type: none"> (100) 150w <ul style="list-style-type: none"> (150) 175w <ul style="list-style-type: none"> (175) 250w <ul style="list-style-type: none"> (250) 320w <ul style="list-style-type: none"> (320) 400w <ul style="list-style-type: none"> (400) | High Pressure Sodium <ul style="list-style-type: none"> (HPS) Metal Halide <ul style="list-style-type: none"> (MH) Pulse Start Metal halide <ul style="list-style-type: none"> (PS) | 120 Volts <ul style="list-style-type: none"> (120) 208 Volts <ul style="list-style-type: none"> (208) 240 Volts <ul style="list-style-type: none"> (240) 277 Volts <ul style="list-style-type: none"> (277) 480 Volts <ul style="list-style-type: none"> (480) Multi-Tap Ballast Factory wired at 277v unless otherwise specified. | Slipfitter <ul style="list-style-type: none"> (SF) Trunion <ul style="list-style-type: none"> (TR) Bolt On Arm 6" <ul style="list-style-type: none"> (BOA6) Bolt On Arm 10" <ul style="list-style-type: none"> (BOA10) | Bronze <ul style="list-style-type: none"> (BZ) White <ul style="list-style-type: none"> (WT) Black <ul style="list-style-type: none"> (BK) Custom Color <ul style="list-style-type: none"> (CC) Consult Factory | Photo Cell 120 - 277V <ul style="list-style-type: none"> (PC__) Glare Shield <ul style="list-style-type: none"> (GS) Wire Guard <ul style="list-style-type: none"> (WG) Baffle <ul style="list-style-type: none"> (BA) |

Direct Lighting Sales reserves the right to make modifications or changes to any of its products without prior written notification and without incurring obligation. Actual performance can vary depending on surrounding conditions



Court Bright

SPECIFICATIONS:

Housing:

weather tight unit fabricated from .080" thick aluminum continuous heliarc welded at all seams. Features a .125" ballast plate and a .250" Reinforcing plate for arm attachment, tapped to accept the mounting arm's thru-bolts, so there is no need to open the fixture during mounting.

Lens & Removable Door Assembly:

Hinged door assembly formed from one piece .080" corrosion resistant aluminum with stainless steel fasteners. The lens is a clear tempered flat Glass, secured by galvanized lens clips and sealed with silicone gasket to ensure protection from the harshest environment.

Optics:

A Horizontal segmented reflector with high performance specular aluminum finish available in (4) distribution patterns

Electrical Assembly:

HID ballast constant wattage auto-transformer high power factor core and coil type, rated -20 degrees Fahrenheit starting temperature. Integrally Mounted in the luminaire and completely prewired. Each ballast assembly is thoroughly tested prior to shipment. Ballast And Electrical Components are "UL" Listed.

Lamp Socket:

Porcelain Socket pulse rated at 5K & 600V for HPS, MH & PS lamps.

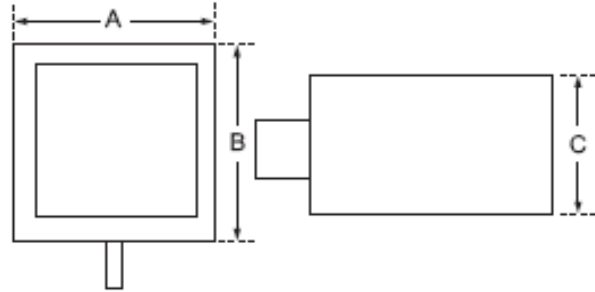
Finish:

Chemically pretreated through a multiple stage washer, thermoset polyester textured Powder Coat. Thickness. Oven baked at 400 degrees Fahrenheit to insure maximum adherence.

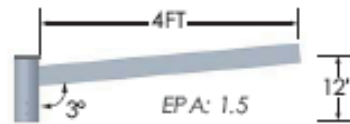
Job Information

| | |
|------------------------|--------|
| Project: | Date: |
| Location: | |
| Fixture Type: | Cat. # |
| Lamp: | Volts: |
| Options & Accessories: | |

DIMENSIONAL DRAWINGS



| Fixture | A | B | C | Maximum Watts | Lens | LBS |
|---------|-----|-----|-----|---------------|------|-----|
| CTB-1 | 27" | 21" | 10" | 1000w | Flat | 70 |
| CTB-2 | 31" | 25" | 10" | 1000w | Flat | 75 |



EZ Mount System

ORDERING INFORMATION:

| Model | Optics | Wattage | Source | Voltage | Mounting | Finish | Options |
|--|---|---|---|--|---|--|---|
| <ul style="list-style-type: none"> CTB-1 CTB-2 | <ul style="list-style-type: none"> TYPE II (T2) TYPE III (T3) TYPE IV (T4) TYPE V (5) | 750w <ul style="list-style-type: none"> (750) 1000w <ul style="list-style-type: none"> (1000) | Metal Halide <ul style="list-style-type: none"> (MH) Pulse Start Metal Halide <ul style="list-style-type: none"> (PS) | 120 Volts <ul style="list-style-type: none"> (120) 208 Volts <ul style="list-style-type: none"> (208) 240 Volts <ul style="list-style-type: none"> (240) 277 Volts <ul style="list-style-type: none"> (277) 480 Volts <ul style="list-style-type: none"> (480) Multi-Tap <ul style="list-style-type: none"> (MT) Multi-Tap Ballast Factory wired at 277v unless otherwise specified. | Bolt on Arm <ul style="list-style-type: none"> (BOA) EZ Mount <ul style="list-style-type: none"> (EZ) | Bronze <ul style="list-style-type: none"> (BZ) White <ul style="list-style-type: none"> (WT) Black <ul style="list-style-type: none"> (BK) Green <ul style="list-style-type: none"> (GN) Grey <ul style="list-style-type: none"> (GY) Custom <ul style="list-style-type: none"> (CC) Consult Factory | Photocell 120 - 480v <ul style="list-style-type: none"> (PC) Photocell & Shorting cap <ul style="list-style-type: none"> (PSC) House Side Light Shield <ul style="list-style-type: none"> (HSS) Round Pole adaptor <ul style="list-style-type: none"> (RPA) Wall Plate <ul style="list-style-type: none"> (WP) Tail Bracket <ul style="list-style-type: none"> (TB) |

Direct Lighting Sales reserves the right to make modifications or changes to any of its products without prior written notification and without incurring obligation. Actual performance can vary depending on surrounding conditions



Dominator

SPECIFICATIONS:

Housing:

A weather tight unit fabricated from .080" thick aluminum continuous heliarc welded at all seams. Features a .125" ballast plate and a .250" Reinforcing plate for arm attachment, tapped to accept the mounting arm's thru-bolts, so there is no need to open the fixture during mounting.

Lens & Removable Door Assembly:

Hinged door assembly formed from one piece .080" corrosion resistant aluminum with stainless steel fasteners. The lens is a clear tempered flat Glass, secured by galvanized lens clips and sealed with silicone gasket to ensure protection from the harshest environment.

Optics:

A Vertical segmented reflector with specular aluminum finish available In (4) distribution patterns

Electrical Assembly:

HID Ballast constant Wattage Auto-Transformer High Power Factor Core and coil Type, Rated -20 Degrees Fahrenheit Staring Temperature. Integrally Mounted in the Luminaire and Completely Prewired. Each Ballast Assembly Is Thoroughly Tested Prior To Shipment. Ballast and Electrical Components Are "UL" Listed.

Lamp Socket:

Porcelain Socket pulse rated at 5K & 600V for HPS, MH & PS lamps.

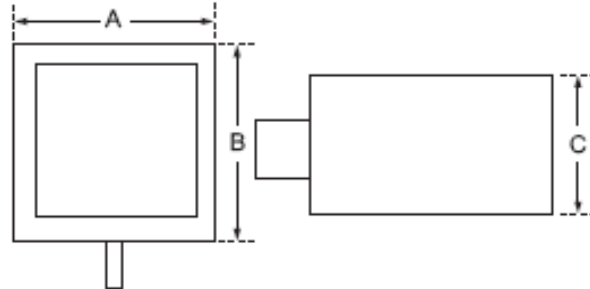
Finish:

Chemically pretreated through a multiple stage washer, thermoset polyester textured Powder Coat. Thickness. Oven baked at 400 degrees Fahrenheit to insure maximum adherence.

Job Information

| | |
|------------------------|--------|
| Project: | Date: |
| Location: | |
| Fixture Type: | Cat. # |
| Lamp: | Volts: |
| Options & Accessories: | |

DIMENSIONAL DRAWINGS



| Fixture | A | B | C | Maximum Watts | Lens | LBS |
|---------|-----|-----|-----|---------------|--------|-----|
| DMG-1 | 14" | 14" | 10" | 175w | Flat | 35 |
| DMG-2 | 19" | 19" | 12" | 250w/400w | Flat | 50 |
| DMG-3 | 23" | 23" | 13" | 1000w | Convex | 70 |
| DMG-4 | 23" | 23" | 15" | 1000w | Flat | 75 |

ORDERING INFORMATION:

| Model | Optics | Wattage | Source | Voltage | Mounting | Finish | Options |
|---------|-----------------|---|------------------------|--|------------------------------|---|---|
| • DMG-1 | • TYPE II (T2) | 70w • (70) | HPS • (HPS) | 120 Volts • (120) | Bolt on Arm 6" • (BOA6) | Bronze • (BZ) | Photocell 120 - 277V • (PC__) |
| • DMG-2 | • TYPE III (T3) | 100w • (100) | Metal Halide • (MH) | 208 Volts • (208) | Bolt on Arm 10" • (BOA10) | White • (WT) | Photocell & Shorting cap • (PSC) |
| • DMG-3 | • TYPE IV (T4) | 150w • (150) | Pulse Start • (PS) | 240 Volts • (240) | Spider Mount • (SM) | Black • (BK) | House Side Light Shield • (HSS) |
| • DMG-4 | • TYPE V (T5) | 175w • (175) 250w • (250) 320w • (320) 400w • (400) 1000w • (1000) | | 277 Volts • (277) 480 Volts • (480) Multi-Tap Ballast Factory wired at 277v unless otherwise specified. | Wall Mount • (WM) | Green • (GN) Grey • (GY) Custom • (CC) Consult Factory | Round Pole adaptor • (RPA) Wall Plate • (WP) |

Direct Lighting Sales reserves the right to make modifications or changes to any of its products without prior written notification and without incurring obligation. Actual performance can vary depending on surrounding conditions

Duraguard



SPECIFICATIONS:

Housing:

Corrosion resistant, cast A356 aluminum alloy, .188" min. wall thickness and heavy gauge spun aluminum top.

Optics:

Injection molded clear U.V. stabilized prismatic polycarbonate lens with ANSI-IES type III & V distribution

Electrical Assembly:

HID Ballast constant Wattage Auto-Transformer High Power Factor Core and coil Type, Rated -20 Degrees Fahrenheit Staring Temperature. Integrally Mounted in the Luminaire and Completely Prewired. Each Ballast Assembly Is Thoroughly Tested Prior To Shipment. Ballast and Electrical Components Are "UL" Listed.

Lamp Socket:

Porcelain Socket pulse rated for HPS, MH & PS lamps. Lamp included.

Finish:

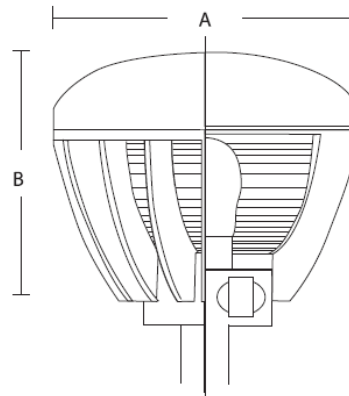
Chemically pretreated through a multiple stage washer, thermoset polyester textured Powder Coat. Oven baked at 400 degrees Fahrenheit to insure maximum adherence.

Vandal Proof with Vertical lamp

Job Information

| | |
|------------------------|--------|
| Project: | Date: |
| Location: | |
| Fixture Type: | Cat. # |
| Lamp: | Volts: |
| Options & Accessories: | |

DIMENSIONAL DRAWINGS



| Model # | A | B | Max. Watt | EPA |
|---------|--------|-----|-----------|-----|
| DGD-1 | 13.50" | 14" | 150 | 1.2 |
| DGD-2 | 20.50" | 18" | 250 | 2.1 |

ORDERING INFORMATION:

| Model | Optics | Wattage | Source | Voltage | Mounting | Finish | Options |
|--|---|---|---|---|--|--|---|
| <ul style="list-style-type: none"> DGD-1 DGD-2 | Type III <ul style="list-style-type: none"> (T3) Type V <ul style="list-style-type: none"> (T5) | 50w <ul style="list-style-type: none"> (50) 70w <ul style="list-style-type: none"> (70) 100w <ul style="list-style-type: none"> (100) 150w <ul style="list-style-type: none"> (150) 175w <ul style="list-style-type: none"> (175) 250w <ul style="list-style-type: none"> (250) | HPS <ul style="list-style-type: none"> (HPS) Metal Halide <ul style="list-style-type: none"> (MH) Pulse Start Metal Halide <ul style="list-style-type: none"> (PS) Compact Fluorescent <ul style="list-style-type: none"> (CFL) Consult Factory | 120 Volts <ul style="list-style-type: none"> (120) 208 Volts <ul style="list-style-type: none"> (208) 240 Volts <ul style="list-style-type: none"> (240) 277 Volts <ul style="list-style-type: none"> (277) 480 Volts <ul style="list-style-type: none"> (480) Multi-Tap Ballast Factory wired at 277 volts unless otherwise specified. | Tenon Mount <ul style="list-style-type: none"> (TM) (Fit over 2 3/8" O.D.) | Bronze <ul style="list-style-type: none"> (BZ) White <ul style="list-style-type: none"> (WT) Black <ul style="list-style-type: none"> (BK) Custom Color <ul style="list-style-type: none"> (CC) Other colors available consult factory | Photo Cell 120 - 277v <ul style="list-style-type: none"> (PC__) |

Direct Lighting reserves the right to make modifications or changes to any of its products without prior written notification and without incurring obligation. Actual performance can vary depending on surrounding conditions

EconoBright 2



SPECIFICATIONS:

Housing:

A weather tight unit fabricated from .080" thick aluminum continuous heliarc welded at all seams. Features a .080" ballast plate and a .125" Reinforcing plate for arm attachment, tapped to accept the mounting arm's thru-bolts, so there is no need to open the fixture during mounting.

Lens:

1/8" thick clear tempered glass bonded to door frame with 100% silicone. Lens frame is hinged and secured with stainless steel fasteners.

Reflector:

Specular aluminum, available in type I, II, III, IV, V, hydro-form & Segmented light distribution.

Electrical Assembly:

HID Ballast constant Wattage Auto-Transformer High Power Factor Core and coil Type, Rated -20 Degrees Fahrenheit Staring Temperature. Integrally Mounted in the Luminaire and Completely Prewired. Each Ballast assembly Is Thoroughly Tested Prior To Shipment. Ballast and Electrical components Are "UL" Listed.

Lamp Socket:

Spring loaded center contact, pulse rated for HPS, MH & PS lamps.

Arm:

Mounting arm is supplied with two rods and nuts for easy assembly of luminaire to pole.

Finish:

Chemically pretreated through a multiple stage washer, thermoset polyester textured Powder Coat min. 3 mil. Thickness. Oven baked at 400 degrees Fahrenheit to insure maximum adherence.

Job Information

Project: _____ Date: _____

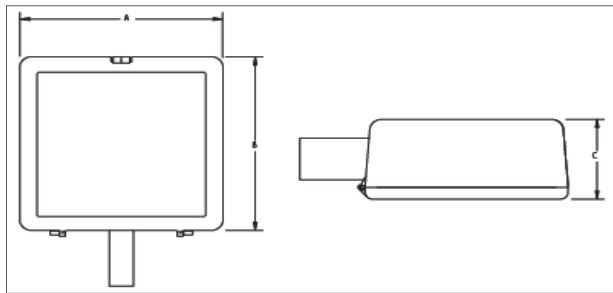
Location: _____

Fixture Type: _____ Cat. # _____

Lamp: _____ Volts: _____

Options & Accessories: _____

DIMENSIONAL DRAWINGS



| Fixture | A | B | C | Max. Watt | EPA |
|---------|-----|-----|----|-----------|------|
| EBT - 2 | 16" | 16" | 8" | 400w | 1.28 |

ORDERING INFORMATION:

| Model | Optics | Wattage | Source | Voltage | Mounting | Finish | Options |
|---|---|--|---|--|--|--|--|
| <ul style="list-style-type: none"> • EBT-2 Flat glass | <u>Hydroformed</u> Type I <ul style="list-style-type: none"> • (HT1) Type II • (HT2) Type III • (HT3) <u>Segmented</u> Type IV <ul style="list-style-type: none"> • (T4) Type V <ul style="list-style-type: none"> • (T5) | 150w • (150) 175w • (175) 200w • (200) 250w • (250) 320w • (320) 400w • (400) | High Pressure Sodium <ul style="list-style-type: none"> • (HPS) Metal Halide <ul style="list-style-type: none"> • (MH) Pulse Start Metal Halide <ul style="list-style-type: none"> • (PS) | 120 Volts • (120) 208 Volts • (208) 240 Volts • (240) 277 Volts • (277) 480 Volts • (480) Multi-Tap Ballast factory wired 277 Volts Unless otherwise specified. | Bolt on Arm 6" • (BOA6) Bolt on Arm 10" • (BOA10) Adjustable Bolt on Arm • (ABOA14) Slip Fitter • (SF) Trunion Mount • (TM) Ceiling Mount • (CM) Wall Mount • (WM) | Bronze • (BZ) Black • (BK) White • (WH) Custom Color • (CC) | Photo Cell 120 - 277v • (PC__) External house side glare shield • (XGS) Adjustable Fitter • (AF) 2-3/8 Max. |

Direct Lighting Sales reserves the right to make modifications or changes to any of its products without prior written notification and without incurring obligation. Actual performance can vary depending on surrounding conditions

EconoBright I



SPECIFICATIONS:

Housing:

Heavy gauge die-cast aluminum housing, internally sealed for weather proofing. Silicone is applied between lens frame and housing, fully sealed.

Lens:

1/8" thick clear tempered glass bonded to door frame with 100% silicone. Lens frame is hinged and secured with stainless steel fasteners.

Reflector:

Specular aluminum, available in type I, II, III, IV, V, hydro-form & Segmented light distribution.

Electrical Assembly:

HID Ballast constant Wattage Auto-Transformer High Power Factor Core and coil Type, Rated -20 Degrees Fahrenheit Staring Temperature. Integrally Mounted in the Luminaire and Completely Prewired. Each Ballast assembly Is Thoroughly Tested Prior To Shipment. Ballast and Electrical components Are "UL" Listed.

Lamp Socket:

Spring loaded center contact, pulse rated for HPS, MH & PS lamps.

Arm:

Mounting arm is supplied with two rods and nuts for easy assembly of luminaire to pole.

Finish:

Polyester powder bond coating is standard, other finishes available, contact factory.

Job Information

Project: _____ Date: _____

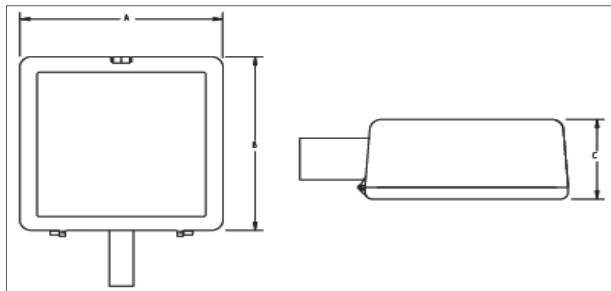
Location: _____

Fixture Type: _____ Cat. # _____

Lamp: _____ Volts: _____

Options & Accessories: _____

DIMENSIONAL DRAWINGS



| Fixture | A | B | C | Max. Watt | EPA |
|---------|-----|-----|----|-----------|------|
| EBT - 1 | 17" | 17" | 7" | 400w | 1.28 |

ORDERING INFORMATION:

| Model | Optics | Wattage | Source | Voltage | Mounting | Finish | Options |
|---|--|---|--|--|---|---|---|
| <ul style="list-style-type: none"> • EBT-1 Flat glass | <u>Hydroformed</u> Type I <ul style="list-style-type: none"> • (HT1) • (HT2) Type III <ul style="list-style-type: none"> • (HT3) <u>Segmented</u> Type IV <ul style="list-style-type: none"> • (T4) • (T5) | 150w <ul style="list-style-type: none"> • (150) 175w <ul style="list-style-type: none"> • (175) 200w <ul style="list-style-type: none"> • (200) 250w <ul style="list-style-type: none"> • (250) 320w <ul style="list-style-type: none"> • (320) 400w <ul style="list-style-type: none"> • (400) | High Pressure Sodium <ul style="list-style-type: none"> • (HPS) Metal Halide <ul style="list-style-type: none"> • (MH) Pulse Start Metal Halide <ul style="list-style-type: none"> • (PS) | 120 Volts <ul style="list-style-type: none"> • (120) 208 Volts <ul style="list-style-type: none"> • (208) 240 Volts <ul style="list-style-type: none"> • (240) 277 Volts <ul style="list-style-type: none"> • (277) 480 Volts <ul style="list-style-type: none"> • (480) Multi-Tap Ballast factory wired 277 Volts Unless otherwise specified. | Bolt on Arm 6" <ul style="list-style-type: none"> • (BOA6) Bolt on Arm 10" <ul style="list-style-type: none"> • (BOA10) Adjustable Bolt on Arm <ul style="list-style-type: none"> • (ABOA14) • (AF) Slip Fitter <ul style="list-style-type: none"> • (SF) Trunion Mount <ul style="list-style-type: none"> • (TM) Ceiling Mount <ul style="list-style-type: none"> • (CM) | Bronze <ul style="list-style-type: none"> • (BZ) Black <ul style="list-style-type: none"> • (BK) White <ul style="list-style-type: none"> • (WH) Custom Color <ul style="list-style-type: none"> • (CC) | Photo Cell 120 - 277v <ul style="list-style-type: none"> • (PC__) External house side glare shield <ul style="list-style-type: none"> • (XGS) Adjustable Fitter <ul style="list-style-type: none"> • (AF) 2-3/8 Max. Wall Mount <ul style="list-style-type: none"> • (WM)* *Wall Plate to be ordered separately |

Direct Lighting Sales reserves the right to make modifications or changes to any of its products without prior written notification and without incurring obligation. Actual performance can vary depending on surrounding conditions

Econo Star

Benefits:

- Local utility rebates
- 50% - 75% energy savings
- Improved light uniformity
- High efficiency luminaire with 2 thru 6 lamp in 14-49watts
- Cold weather electronic ballast
- Superior visual acuity
- Improved lumen maintenance
- Longer service life
- No out of pocket expense
Pay with your monthly energy savings

Features:

- Uses T5HO technology to get comparable light levels
- Precision fabricated and formed aluminum housing
- Powder coat finish provides excellent corrosion resistance and durability
- Heavy duty aluminum body provides excellent heat dissipation, maximizing ballast & lamp life
- Forward throw optics



Heavy Cast Fitter



Fully Adjustable

FLUORESCENT ADVANTAGES

The Econo Star fluorescent family of luminaires have several advantages over traditional HID; energy savings, instant on and re-strike, improve visual acuity, better lumen maintenance, longer lamp life, and more economical controls and compatibility. Fluorescent also has a proven track record and a cost advantage over some emerging light source technologies.

- Provides auto dealers and other retailers a viable option to replace short life 1000 watt metal halide lamps that operate at 1080 watts.
- Offered with a full range of custom color to integrate into your project color palette.
- Sculpted sleek look for architectural appeal and minimize wind loading.
- Heavy duty aluminum body and mounting arm provides excellent heat dissipation and maximum ballast life.
- Post production powder coat finish provides excellent corrosion resistance and durability.
- Easy access to the lamps and electrical cavity. The heavy duty door frame provides access from below, opens easily, and secures tightly when closed.
- T5 application = 36,000 hours (based on 12 hour starts), lower energy consumption, no color shift, 85+ CRI full spectrum color.
- -20 deg. starting: Enhanced cold weather performance using the amalgam technology T5HO lamps (optional)

| Existing Area Light System | Lamp Qty & Type | Initial Lamp Lumens | Lumen Maintenance | EOL(1) Lumens All Lamps | Total Fixture Lumens | Ballast Factor | Fixture Efficiency | EOL (1) Lumens Per Fix. | S/P (2) Ratio | Net (3) EOL Lumens | Fix. Input Watts |
|----------------------------|-----------------|---------------------|-------------------|-------------------------|----------------------|----------------|--------------------|-------------------------|---------------|--------------------|------------------|
| MH400 | 1/Std. MH400 | 38,000 | 58% | 22,040 | 22,040 | 1.00 | 0.75 | 16,530 | 1.49 | 22,561 | 458 |
| HPS 400 | 1/Std. HPS400 | 50,000 | 70% | 35,000 | 35,000 | 1.00 | 0.75 | 26,250 | 0.62 | 18,080 | 464 |
| MH1000(16k hrs) | 1/Std. MH1000 | 110,000 | 26% | 28,600 | 28,600 | 1.00 | 0.75 | 21,450 | 1.49 | 29,276 | 1080 |
| MH1000(12k hrs) | 1/Std. MH1000 | 110,000 | 37% | 40,700 | 40,700 | 1.00 | 0.75 | 30,525 | 1.49 | 41,662 | 1080 |
| MH1000(8k hrs) | 1/Std. MH1000 | 110,000 | 50% | 55,000 | 55,000 | 1.00 | 0.75 | 41,250 | 1.49 | 56,300 | 1080 |
| MH1000(4k hrs) | 1/Std. MH1000 | 110,000 | 72% | 79,200 | 79,200 | 1.00 | 0.75 | 59,400 | 1.49 | 81,072 | 1080 |

| Proposed Area Light System | Lamp Qty & Type | Initial Lamp Lumens | Lumen Maintenance | EOL(1) Lumens All Lamps | Total Fixture Lumens | Ballast Factor | Fixture Efficiency | EOL(1) Lumens Per Fix. | S/P(2) Ratio | Net(3) EOL Lumens | Fix. Input Watts |
|----------------------------|-----------------|---------------------|-------------------|-------------------------|----------------------|----------------|--------------------|------------------------|--------------|-------------------|------------------|
| 5L-T5HO | 5/F54T5HO | 5,000 | 95% | 4,750 | 23,750 | 1.00 | 0.82 | 19,475 | 1.62 | 28,331 | 293 |
| 6L-T5HO | 6/F54T5HO | 5,000 | 95% | 4,750 | 28,500 | 1.00 | 0.82 | 23,370 | 1.62 | 33,997 | 351 |

Direct Lighting Sales reserves the right to make modifications or changes to any of its products without prior written notification and without incurring obligation. Actual performance can vary depending on surrounding conditions



La Jolla

SPECIFICATIONS:

Housing:

A weather tight unit fabricated from .080" thick aluminum continuous heliarc welded at all seams. Features a .125" ballast plate and a .250" Reinforcing plate for arm attachment, tapped to accept the mounting arm's thru-bolts, so there is no need to open the fixture during mounting.

Lens & Removable Door Assembly:

Hinged door assembly formed from one piece .080" corrosion resistant aluminum with stainless steel fasteners. The lens is a clear tempered flat Glass, secured by galvanized lens clips and sealed with silicone gasket to ensure protection from the harshest environment.

Optics:

A Horizontal segmented reflector with specular aluminum finish available in (3) distribution patterns

Electrical Assembly:

HID ballast constant wattage auto-transformer high power factor core and coil type, rated -20 degrees Fahrenheit starting temperature. Integrally Mounted in the luminaire and completely prewired. Each ballast assembly is thoroughly tested prior to shipment. Ballast And Electrical Components are "UL" Listed.

Lamp Socket:

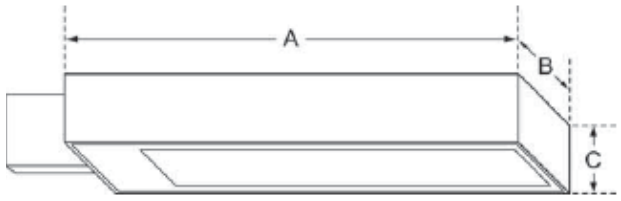
Standard LPS socket

Finish:

Chemically pretreated through a multiple stage washer, thermoset polyester textured Powder Coat min. 3-5 mil. Thickness. Oven baked at 400 degrees Fahrenheit to insure maximum adherence.

| Job Information | |
|------------------------|--------|
| Project: | Date: |
| Location: | |
| Fixture Type: | Cat. # |
| Lamp: | Volts: |
| Options & Accessories: | |

DIMENSIONAL DRAWINGS



| Fixture | A | B | C | Maximum Watts | Lbs. | EPA |
|---------|-----|-----|----|---------------|------|-----|
| LJA-1 | 24" | 15" | 9" | 55w | 45 | 2.0 |
| LJA-2 | 29" | 15" | 9" | 90w | 50 | 2.3 |
| LJA-3 | 29" | 20" | 9" | 2 x 90w | 60 | 3.5 |
| LJA-4 | 52" | 15" | 9" | 180w | 70 | 3.7 |

ORDERING INFORMATION:

| Model | Optics | Wattage | Source | Voltage | Mounting | Finish | Options |
|---|---|--|---|--|---|--|--|
| <ul style="list-style-type: none"> LJA-1 | <ul style="list-style-type: none"> TYPE II (T2) | 35w <ul style="list-style-type: none"> (35) | Low Pressure Sodium <ul style="list-style-type: none"> (LPS) | 120 Volts <ul style="list-style-type: none"> (120) | Bolt on Arm 6" <ul style="list-style-type: none"> (BOA6) | Bronze <ul style="list-style-type: none"> (BZ) | Photocell 120 - 480v <ul style="list-style-type: none"> (PC__) |
| <ul style="list-style-type: none"> LJA-2 | <ul style="list-style-type: none"> TYPE III (T3) | 55w <ul style="list-style-type: none"> (55) | T5 Linear Fluorescent <ul style="list-style-type: none"> (LF) | 208 Volts <ul style="list-style-type: none"> (208) | Bolt on Arm 10" <ul style="list-style-type: none"> (BOA10) | White <ul style="list-style-type: none"> (WT) | Photocell & Shorting cap <ul style="list-style-type: none"> (PCSC) |
| <ul style="list-style-type: none"> LJA-3 | <ul style="list-style-type: none"> TYPE V (T5) | 90w <ul style="list-style-type: none"> (90) | Consult Factory | 240 Volts <ul style="list-style-type: none"> (240) | Parallel Pole Mount <ul style="list-style-type: none"> (PM) | Black <ul style="list-style-type: none"> (BK) | House Side Light Shield <ul style="list-style-type: none"> (LS) |
| <ul style="list-style-type: none"> LJA-4 | | 2-90w <ul style="list-style-type: none"> (290) | | 277 Volts <ul style="list-style-type: none"> (277) | Parallel Wall Mount <ul style="list-style-type: none"> (PW) | Green <ul style="list-style-type: none"> (GN) | Round Pole adaptor <ul style="list-style-type: none"> (RPA) |
| | | 135w <ul style="list-style-type: none"> (135) | | 480 Volts <ul style="list-style-type: none"> (480) | Perpendicular Wall Mount <ul style="list-style-type: none"> (PWM) | Grey <ul style="list-style-type: none"> (GY) | Wall Plate <ul style="list-style-type: none"> (WP) |
| | | 180w <ul style="list-style-type: none"> (180) | | Multi-Tap Ballast Factory wired at 277v unless otherwise specified. | Slip Fitter <ul style="list-style-type: none"> (SF) | Custom Color <ul style="list-style-type: none"> (CC) | |
| | | | | | | Consult Factory | |

Direct Lighting Sales reserves the right to make modifications or changes to any of its products without prior written notification and without incurring obligation. Actual performance can vary depending on surrounding conditions



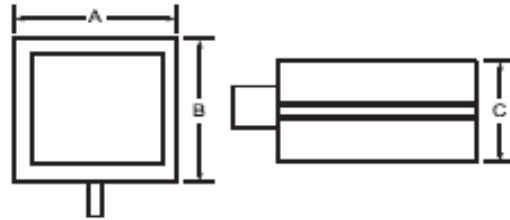
Masterlux

SPECIFICATIONS:

Job Information

| | |
|------------------------|--------|
| Project: | Date: |
| Location: | |
| Fixture Type: | Cat. # |
| Lamp: | Volts: |
| Options & Accessories: | |

DIMENSIONAL DRAWINGS



| Fixture | A | B | C | Maximum Watts | Stripe | LBS |
|---------|-----|-----|-----|---------------|--------|-----|
| MAX-1 | 14" | 14" | 10" | 175w | 2" | 35 |
| MAX-2 | 19" | 19" | 12" | 400w | 2" | 50 |
| MAX-3 | 23" | 23" | 13" | 1000w | 2" | 70 |
| MAX-4 | 23" | 23" | 15" | 1000w | 2" | 75 |

Housing:

A weather tight unit fabricated from .080" thick aluminum continuous heliarc welded at all seams. Features a .125" ballast plate and a .250" Reinforcing plate for arm attachment, tapped to accept the mounting arm's thru-bolts, so there is no need to open the fixture during mounting.

Lens & Removable Door Assembly:

Hinged door assembly formed from one piece .080" corrosion resistant aluminum with stainless steel fasteners. The lens is a clear tempered flat Glass, secured by galvanized lens clips and sealed with silicone gasket to ensure protection from the harshest environment.

Optics:

A Vertical segmented reflector with specular aluminum finish available In (4) distribution patterns

Electrical Assembly:

HID Ballast constant Wattage Auto-Transformer High Power Factor Core And coil Type. Rated -20 Degrees Fahrenheit Starting Temperature. Integrally Mounted in the Luminaire and Completely Prewired. Each Ballast Assembly Is Thoroughly Tested Prior To Shipment. Ballast and Electrical Components Are "UL" Listed.

Lamp Socket:

Porcelain Socket pulse rated at 5K & 600V for HPS, MH & PS lamps.

Finish:

Chemically pretreated through a multiple stage washer, thermoset polyester textured Powder Coat min. 3-5 mil. Thickness. Oven baked at 400 degrees Fahrenheit to insure maximum adherence.

ORDERING INFORMATION:

| Model | Optics | Wattage | Source | Voltage | Mounting | Finish | Options |
|--|---|---|--|--|---|--|--|
| <ul style="list-style-type: none"> MAX-1 MAX-2 MAX-3 MAX-4 | TYPE II <ul style="list-style-type: none"> (T2) TYPE III <ul style="list-style-type: none"> (T3) TYPE IV <ul style="list-style-type: none"> (T4) TYPE V <ul style="list-style-type: none"> (T5) | 70w <ul style="list-style-type: none"> (70) 100w <ul style="list-style-type: none"> (100) 150w <ul style="list-style-type: none"> (150) 175w <ul style="list-style-type: none"> (175) 250w <ul style="list-style-type: none"> (250) 320w <ul style="list-style-type: none"> (320) 400w <ul style="list-style-type: none"> (400) 750w <ul style="list-style-type: none"> (750) 1000w <ul style="list-style-type: none"> (1000) | High pressure sodium <ul style="list-style-type: none"> (HPS) Metal Halide <ul style="list-style-type: none"> (MH) Pulse Start <ul style="list-style-type: none"> (PS) | 120 Volts <ul style="list-style-type: none"> (120) 208 Volts <ul style="list-style-type: none"> (208) 240 Volts <ul style="list-style-type: none"> (240) 277 Volts <ul style="list-style-type: none"> (277) 480 Volts <ul style="list-style-type: none"> (480) Multi-Tap <ul style="list-style-type: none"> (MT) Multi-Tap Ballast Factory wired at 277 volts unless otherwise specified. | Bolt on Arm 6" <ul style="list-style-type: none"> (BOA6) Bolt on Arm 10" <ul style="list-style-type: none"> (BOA10) Spider Mount <ul style="list-style-type: none"> (SM) Wall Mount <ul style="list-style-type: none"> (WM) Slip Fitter <ul style="list-style-type: none"> (SF) | Bronze <ul style="list-style-type: none"> (BZ) White <ul style="list-style-type: none"> (WT) Black <ul style="list-style-type: none"> (BK) Green <ul style="list-style-type: none"> (GN) Grey <ul style="list-style-type: none"> (GY) Custom <ul style="list-style-type: none"> (CC) Color Strip Blue (91) Red (57) Silver (78) Gold (76) White (23) Black (11) Charcoal (14) | Photo Cell 120—277v <ul style="list-style-type: none"> (PC__) <ul style="list-style-type: none"> (PCS480) Photocell & Shorting cap House Side Shield <ul style="list-style-type: none"> (HSS) Round Pole adaptor <ul style="list-style-type: none"> (RPA) Wall Plate <ul style="list-style-type: none"> (WP) |

Direct Lighting Sales reserves the right to make modifications or changes to any of its products without prior written notification and without incurring obligation. Actual performance can vary depending on surrounding conditions

Mira Loma



SPECIFICATIONS:

Housing:

Corrosion resistant, Weather Tight Unit fabricated from spun Aluminum .080" Thick, Full Gasket Keeps out insects and Water.

Lens & Removable Door Assembly:

Hinged Door Assembly Formed from One Piece spun Aluminum .080" Corrosion Resistant Aluminum With Stainless Steel Fasteners. The Lens is A Clear 1/8" Tempered Flat Glass, Secured By Galvanized Lens Clips and Sealed With Silicone Gasket To Ensure Protection From The Harsh Environment.

Electrical Assembly:

HID ballast constant wattage auto-transformer high power factor core and coil type, rated -20 degrees Fahrenheit starting temperature. Integrally Mounted in the luminaire and completely prewired. Each ballast assembly is thoroughly tested prior to shipment. Ballast And Electrical Components are "UL" Listed.

Lamp Socket:

Porcelain Socket pulse rated for HPS, MH, PS & CFL lamps. Lamp included.

Finish:

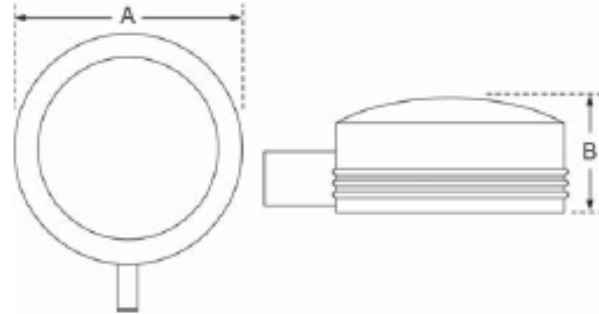
Thermoset Polyester Textured Powder Coat Finish, Chemically Pretreated Through a Multi-Stage Washer, Oven Baked at 400 Deg. Fahrenheit to insure Maximum Adherence.

Decorative Architectural Style

Job Information

| | |
|------------------------|--------|
| Project: | Date: |
| Location: | |
| Fixture Type: | Cat. # |
| Lamp: | Volts: |
| Options & Accessories: | |

DIMENSIONAL DRAWINGS



| Model # | A | B | Max. Watt | EPA |
|---------|-----|-----|-----------|-----|
| MLA-1 | 20" | 11" | 400 | 2.4 |
| MLA-2 | 25" | 15" | 1000 | 3.2 |

ORDERING INFORMATION:

| Model | Optics | Wattage | Source | Voltage | Mounting | Finish | Options |
|--|---|---|---|---|---|--|---|
| <ul style="list-style-type: none"> MLA-1 MLA-2 | Type II <ul style="list-style-type: none"> (T2) Type III <ul style="list-style-type: none"> (T3) Type IV <ul style="list-style-type: none"> (T4) Type V <ul style="list-style-type: none"> (T5) | 70w <ul style="list-style-type: none"> (70) 100w <ul style="list-style-type: none"> (100) 150w <ul style="list-style-type: none"> (150) 175w <ul style="list-style-type: none"> (175) 250w <ul style="list-style-type: none"> (250) 400w <ul style="list-style-type: none"> (400) 1000w <ul style="list-style-type: none"> (1000) | HPS <ul style="list-style-type: none"> (HPS) Metal Halide <ul style="list-style-type: none"> (MH) Pulse Start Metal Halide <ul style="list-style-type: none"> (PS) Compact Fluorescent <ul style="list-style-type: none"> (CFL) Consult Factory | 120 Volts <ul style="list-style-type: none"> (120) 208 Volts <ul style="list-style-type: none"> (208) 240 Volts <ul style="list-style-type: none"> (240) 277 Volts <ul style="list-style-type: none"> (277) 480 Volts <ul style="list-style-type: none"> (480) Multi-Tap Ballast Factory wired at 277 volts unless otherwise specified. | Bolt-On Arm 6" <ul style="list-style-type: none"> (BOA6) Bolt-On Arm 10" <ul style="list-style-type: none"> (BOA10) Wall Mount <ul style="list-style-type: none"> (WM) Spider Mount <ul style="list-style-type: none"> (SM) | Texture Bronze <ul style="list-style-type: none"> (BZ) White <ul style="list-style-type: none"> (WT) Black <ul style="list-style-type: none"> (BK) Green <ul style="list-style-type: none"> (GN) Grey <ul style="list-style-type: none"> (GY) Other colors available Consult Factory | Photo Cell 120 - 277V <ul style="list-style-type: none"> (PC__) Round Pole Adaptor <ul style="list-style-type: none"> (RPA) House Side Shield <ul style="list-style-type: none"> (HSS) Wall Plate <ul style="list-style-type: none"> (WP) |

Direct Lighting reserves the right to make modifications or changes to any of its products without prior written notification and without incurring obligation. Actual performance can vary depending on surrounding conditions



Parking Bright

SPECIFICATIONS:

| Job Information | |
|------------------------|--------|
| Project: | Date: |
| Location: | |
| Fixture Type: | Cat. # |
| Lamp: | Volts: |
| Options & Accessories: | |
| DIMENSIONAL DRAWINGS | |

Housing:

A weather tight unit fabricated from .080" thick aluminum continuous heliarc welded at all seams. Features a .125" ballast plate and a .250" Reinforcing plate for arm attachment, tapped to accept the mounting arm's thru-bolts, so there is no need to open the fixture during mounting.

Lens & Removable Door Assembly:

Hinged door assembly formed from one piece .080" corrosion resistant aluminum with stainless steel fasteners. The lens is a clear tempered flat Glass, secured by galvanized lens clips and sealed with silicone gasket to ensure protection from the harshest environment.

Optics:

A Vertical segmented reflector with specular aluminum finish available In (4) distribution patterns

Electrical Assembly:

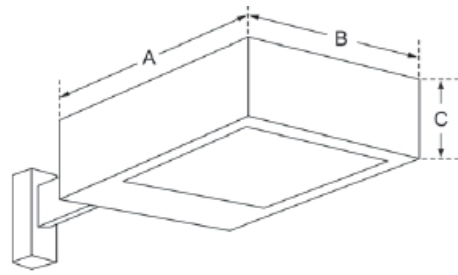
HID ballast constant wattage auto-transformer high power factor core and coil type, rated -20 degrees Fahrenheit starting temperature. Integrally Mounted in the luminaire and completely prewired. Each ballast assembly is thoroughly tested prior to shipment. Ballast And Electrical Components are "UL" Listed.

Lamp Socket:

Porcelain Socket pulse rated at 5K & 600V for HPS, MH & PS lamps.

Finish:

Chemically pretreated through a multiple stage washer, thermoset polyester textured Powder Coat min. 3-5 mil. Thickness. Oven baked at 400 degrees Fahrenheit to insure maximum adherence.



| Fixture | A | B | C | Maximum Watts | LBS |
|---------|-----|-----|----|---------------|-----|
| PBT-1 | 24" | 16" | 8" | 400w | 40 |
| PBT-2 | 27" | 21" | 9" | 1000w | 70 |

ORDERING INFORMATION:

| Model | Optics | Wattage | Source | Voltage | Mounting | Finish | Options |
|--|--------------------|-------------------|---------------------------------|--|------------------------------|------------------------|------------------------------------|
| <ul style="list-style-type: none"> • PBT-1 • PBT-2 | TYPE II • (T2) | 70w • (70) | High Pressure Sodium • (HPS) | 120 Volts • (120) | Bolt on Arm 6" • (BOA6) | Bronze (BZ) | Photo Cell 120 - 277v • (PC__) |
| | TYPE III • (T3) | 100w • (100) | Metal Halide • (MH) | 208 Volts • (208) | Bolt on Arm 10" • (BOA10) | White (WT) | House Side Light Shield • (HSS) |
| | TYPE IV • (T4) | 150w • (150) | Pulse Start • (PS) | 240 Volts • (240) | Wall Mount • (WM) | Black • (BK) | Round Pole adaptor • (RPA) |
| | TYPE V • (T5) | 175w • (175) | | 277 Volts • (277) | | Green • (GN) | Wall Plate • (WP) |
| | | 250w • (250) | | Multi-Tap • (MT) | | Grey • (GY) | |
| | | 320w • (320) | | 480 Volts • (480) | | Custom Color • (CC) | |
| | | 400w • (400) | | Multi-Tap Ballast Factory wired at 277 v unless otherwise specified. | | Consult Factory | |
| | | 1000w • (1000) | | | | | |

Direct Lighting Sales reserves the right to make modifications or changes to any of its products without prior written notification and without incurring obligation. Actual performance can vary depending on surrounding conditions

Decorative Architectural Style



Saturn

SPECIFICATIONS:

Job Information

| | |
|------------------------|--------|
| Project: | Date: |
| Location: | |
| Fixture Type: | Cat. # |
| Lamp: | Volts: |
| Options & Accessories: | |

DIMENSIONAL DRAWINGS

Housing:

Corrosion resistant, Weather Tight Unit fabricated from spun Aluminum .080" Thick, Full Gasket Keeps out insects and Water.

Lens & Removable Door Assembly:

Hinged Door Assembly Formed from One Piece spun Aluminum .080" Corrosion Resistant Aluminum With Stainless Steel Fasteners. The Lens is A Clear 1/8" Tempered Flat Glass, Secured By Galvanized Lens Clips and Sealed With Silicone Gasket To Ensure Protection From The Harsh Environment.

Electrical Assembly:

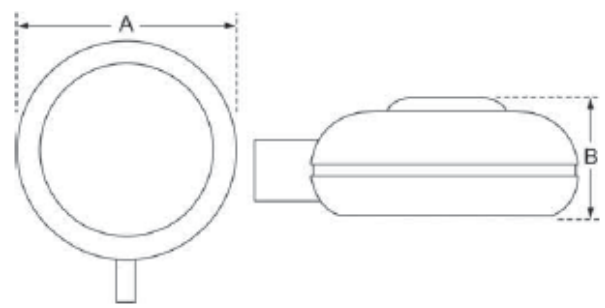
HID ballast constant wattage auto-transformer high power factor core and coil type, rated -20 degrees Fahrenheit starting temperature. Integrally Mounted in the luminaire and completely prewired. Each ballast assembly is thoroughly tested prior to shipment. Ballast And Electrical Components are "UL" Listed.

Lamp Socket:

Porcelain Socket pulse rated for HPS, MH & PS lamps. Lamp included.

Finish:

Thermoset Polyester Textured Powder Coat Finish, Chemically Pretreated Through a Multi-Stage Washer, Oven Baked at 400 Deg. Fahrenheit to insure Maximum Adherence.



| Model # | A | B | Max. Watt | EPA |
|---------|-----|-----|-----------|-----|
| STN-1 | 25" | 12" | 400 | 2.0 |

ORDERING INFORMATION:

| Model | Optics | Wattage | Source | Voltage | Mounting | Finish | Options |
|---|---|---|---|---|---|--|--|
| <ul style="list-style-type: none"> STN-1 | Type II <ul style="list-style-type: none"> (T2) Type III <ul style="list-style-type: none"> (T3) Type IV <ul style="list-style-type: none"> (T4) Type V <ul style="list-style-type: none"> (T5) | 70w <ul style="list-style-type: none"> (70) 100w <ul style="list-style-type: none"> (100) 150w <ul style="list-style-type: none"> (150) 175w <ul style="list-style-type: none"> (175) 250w <ul style="list-style-type: none"> (250) 320w <ul style="list-style-type: none"> (320) 400w <ul style="list-style-type: none"> (400) | HPS <ul style="list-style-type: none"> (HPS) Metal Halide <ul style="list-style-type: none"> (MH) Pulse Start Metal Halide <ul style="list-style-type: none"> (PS) Compact Fluorescent <ul style="list-style-type: none"> (CFL) Consult Factory | 120 Volts <ul style="list-style-type: none"> (120) 208 Volts <ul style="list-style-type: none"> (208) 240 Volts <ul style="list-style-type: none"> (240) 277 Volts <ul style="list-style-type: none"> (277) 480 Volts <ul style="list-style-type: none"> (480) Multi-Tap Ballast Factory wired at 277 volts unless otherwise specified. | Bolt-On Arm 6" <ul style="list-style-type: none"> (BOA6) Bolt-On Arm 10" <ul style="list-style-type: none"> (BOA10) Wall Mount <ul style="list-style-type: none"> (WM) Spider Mount <ul style="list-style-type: none"> (SM) | Texture Bronze <ul style="list-style-type: none"> (BZ) White <ul style="list-style-type: none"> (WT) Black <ul style="list-style-type: none"> (BK) Green <ul style="list-style-type: none"> (GN) Grey <ul style="list-style-type: none"> (GY) Other colors available Consult Factory | Photo Cell 120w - 277v <ul style="list-style-type: none"> (PC__) Round Pole Adaptor <ul style="list-style-type: none"> (RPA) House Side Shield <ul style="list-style-type: none"> (HSS) Wall Plate <ul style="list-style-type: none"> (WP) |

Direct Lighting reserves the right to make modifications or changes to any of its products without prior written notification and without incurring obligation. Actual performance can vary depending on surrounding conditions